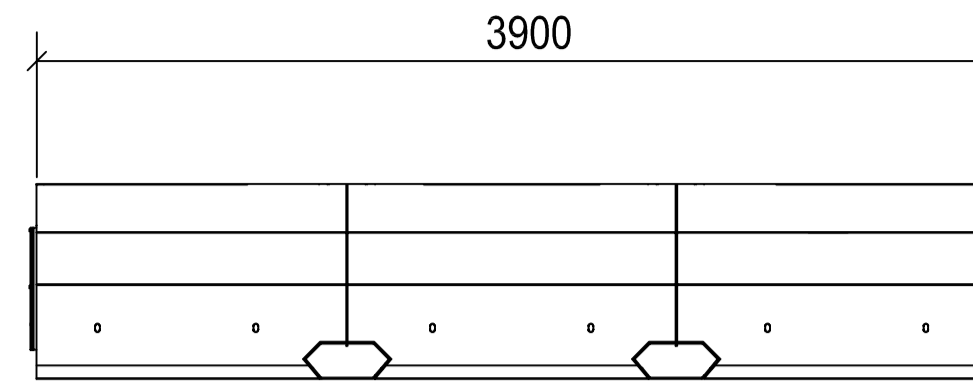


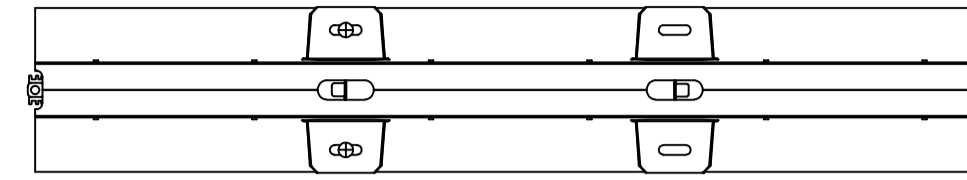
NOTES:

- 1 - THE LAYOUTS SHOWN ARE INDICATIVE OF THE AS-TESTED RESULTS
- 2 - CONTACT SAFE BARRIERS IF IT IS NOT POSSIBLE TO INSTALL AT LEAST THE CORRECT MINIMUM LENGTH
- 3 - BARRIER JOINTS HAVE MOVEMENT OF APPROXIMATELY 1 DEGREE ALLOWING FOR A RADIUS OF APPROXIMATELY 230M WITHOUT ADDITIONAL MITRED UNITS
- 4 - DRAWINGS SHOW TWO WAY TRAFFIC. WHERE REGULATIONS ALLOW, A DEPARTURE TERMINAL MAY NOT BE REQUIRED FOR ONE WAY TRAFFIC AND WOULD BE ON A SITE SPECIFIC RISK ASSESSMENT.

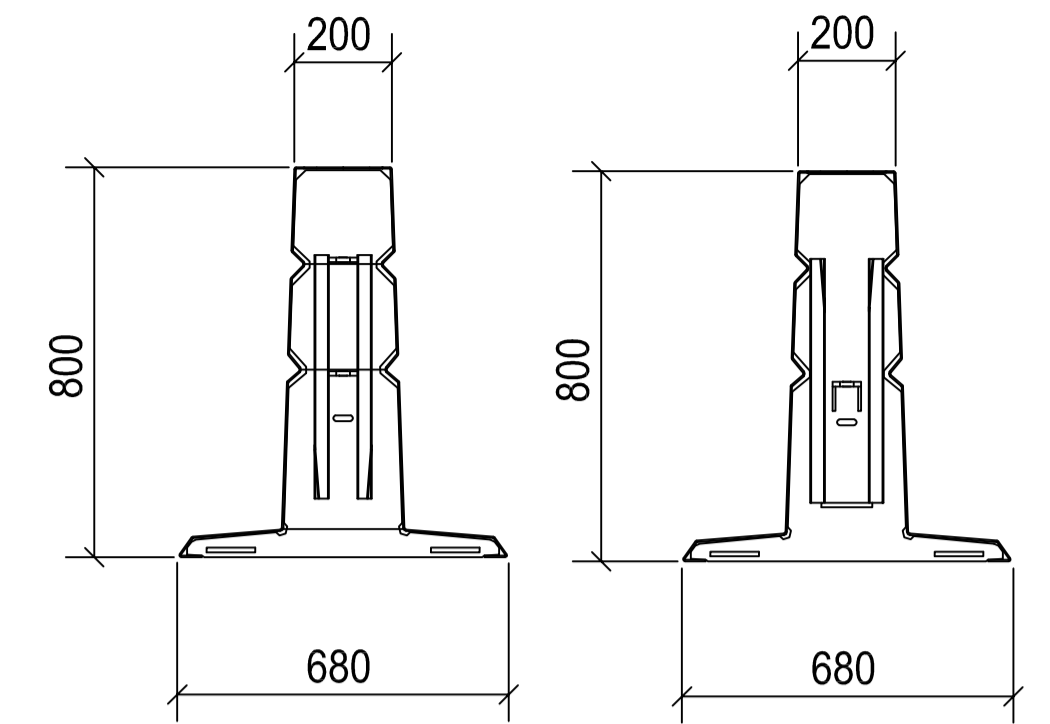
info@safebarrriers.com p. AUS 1800 169 799 NZ 09 950 7186



SINGLE DEFENDER BARRIER UNIT  
ELEVATION VIEW



SINGLE DEFENDER BARRIER UNIT  
VIEW FROM ABOVE



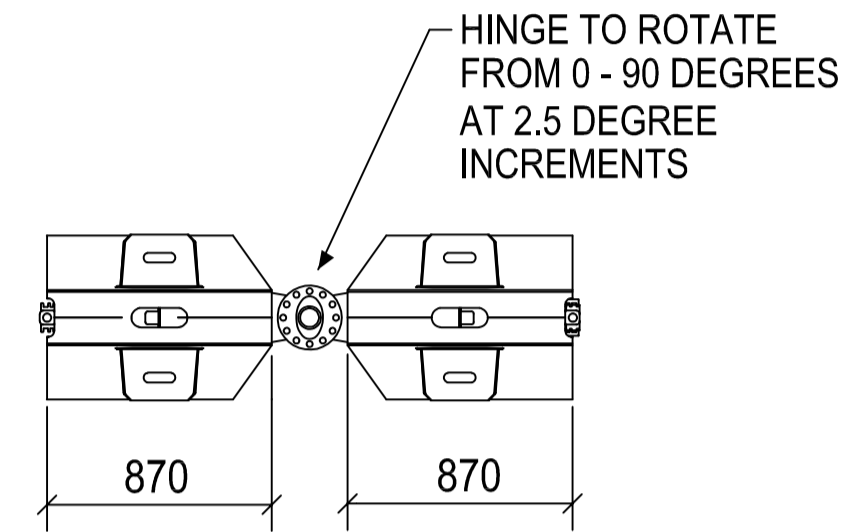
MALE END

FEMALE END

**DEFENDER BARRIER FREE STANDING**

DEFENDER 70™ 2-11 Free Standing Speed kph						
IMPACT° / TRAFFIC LANES	100	90	80	70	60	50
25° / 5 LANES				1.20	1.03	0.86
20° / 4 LANES				0.97	0.83	0.69
15° / 3 LANES				0.73	0.63	0.53
10° / 2 LANES				0.49	0.42	0.35
5° / 1 LANES				0.25	0.21	0.18

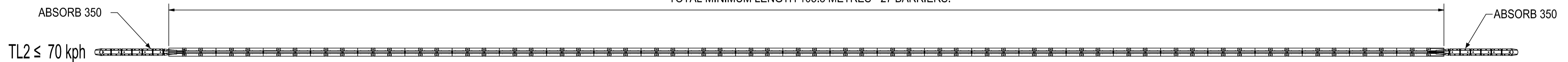
Deflection Metres (Free Standing / No Anchors)



PLAN  
D1-870  
DEFENDER HINGE

PLAN

TOTAL MINIMUM LENGTH 105.3 METRES - 27 BARRIERS.



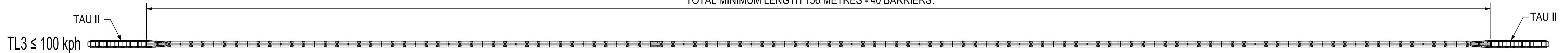
ELEVATION

DEFENDER BARRIER 100 FS™ 3-11 Speed kph						
IMPACT° / TRAFFIC LANES	100	90	80	70	60	50
25° / 5 LANES	1.9	1.71	1.52			
20° / 4 LANES	1.54	1.38	1.23			
15° / 3 LANES	1.16	1.04	0.93			
10° / 2 LANES	0.78	0.7	0.62			
5° / 1 LANES	0.39	0.35	0.31			

Deflection Metres (Free Standing / No Anchors)

PLAN

TOTAL MINIMUM LENGTH 156 METRES - 40 BARRIERS.



ELEVATION

REV	DATE	DESCRIPTION	DRAWN	APPRD.
0	08/03/19	ISSUED FOR CONSTRUCTION	JM	DM
A	08/03/19	ISSUED FOR REVIEW	JM	DM

**SAFE BARRIERS**

DRAWING DESCRIPTION

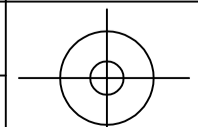
TRAFFIC PLANNING DRAWING - DEFENDER FREE STANDING

DRAWING REF.

SB-TMP-FREE - 0001

DIMENSIONS  
DATE

MM  
08 Mar. 2019



SHEET 1 of 1

DRAWN BY

JM

CHECKED

CJR

APPROVED

DM