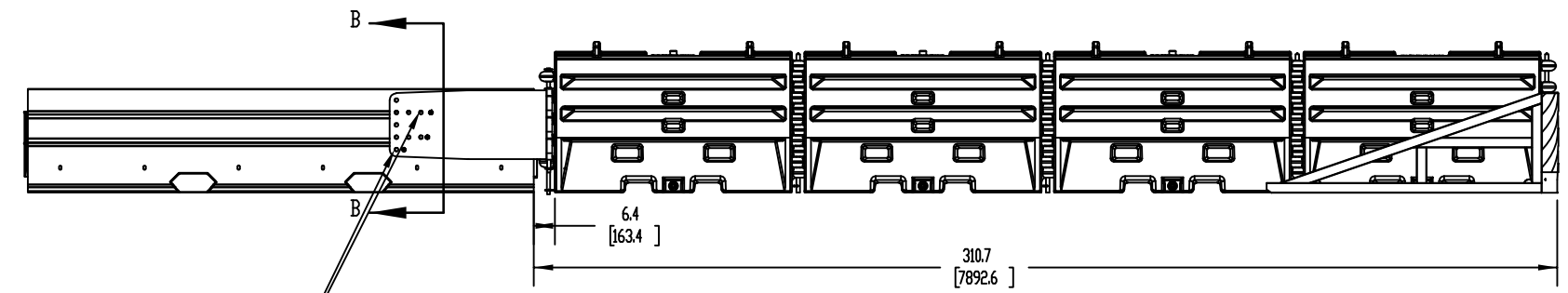
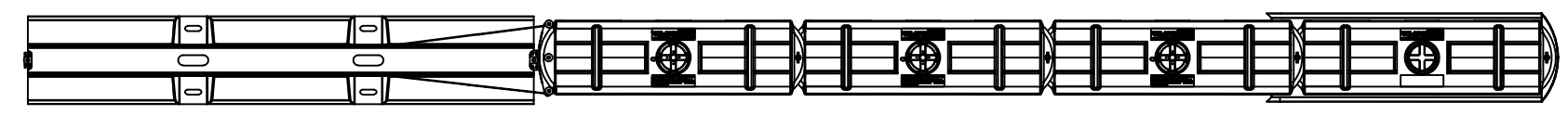
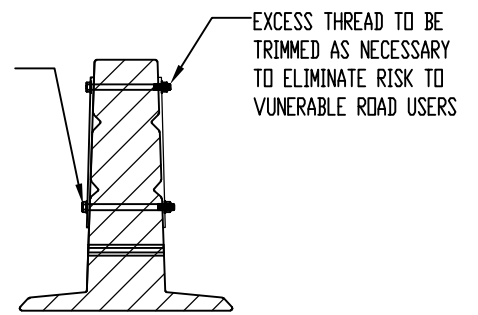


ITEM NO.	DESCRIPTION	QTY
1	DEFENDER	1
2	M20 (3/4") X 280 (11" HEX BOLT - GRADE 8.8 (5) - GALV	2
3	M20 (3/4") X 254 (10" HEX BOLT - GRADE 8.8 (5) - GALV	2
4	M20 NUT - GRADE 8 - GALV	4
5	M20 (3/4") PLAIN WASHER - GALV	8
6	SLED - CRASH CUSHION ASSEMBLY	1

DETAIL A  
SCALE 1 : 25



PREFERENCE TO HAVE HEX HEAD ON TRAFFIC FACE WHEN POSSIBLE



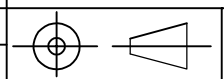
SECTION B-B  
SCALE 1 : 20

TO ATTACH SLED CRASH CUSHION, DRILL 4X (EACH SIDE) Ø25 MM HOLES THROUGH DEFENDER BARRIER. APPLY SPRAY GALV TO CUT EDGES

REV	DATE	DESCRIPTION	DRAWN	APPRD.
A	13/01/20	ISSUED FOR REVIEW	DR	DM

DIMENSIONS	MM
DATE	13 JANUARY, 2020

**SAFE BARRIERS**



SHEET 1 of 1

DRAWING DESCRIPTION		DEFENDER BARRIER SYSTEM				
DRAWING REF.		SB-SLED-CONNECT				
DRAWN BY	DR	CHECKED	JM	APPROVED	DM	