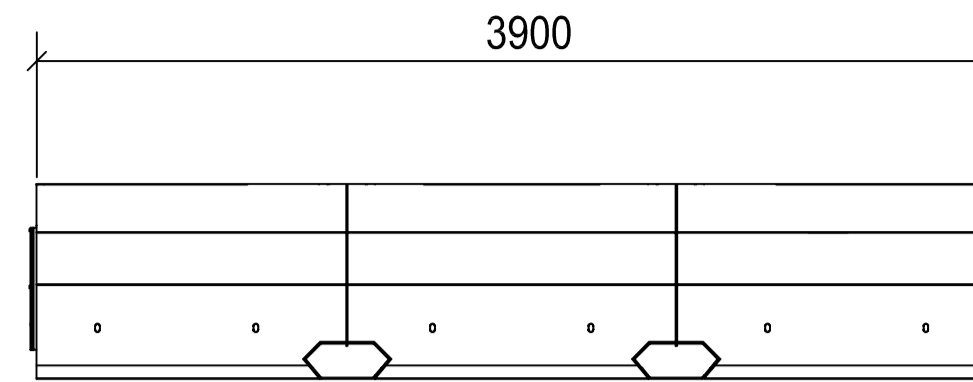


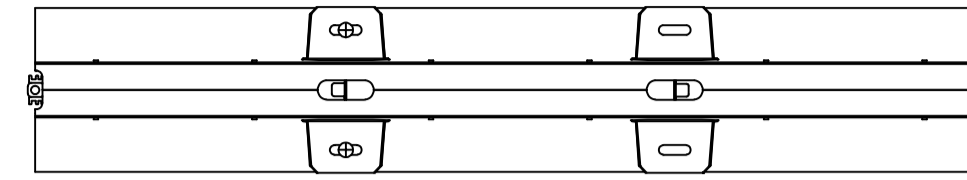
NOTES:

- 1 - THE LAYOUTS SHOWN ARE INDICATIVE OF THE AS-TESTED RESULTS
- 2 - CONTACT SAFE BARRIERS IF IT IS NOT POSSIBLE TO INSTALL AT LEAST THE CORRECT MINIMUM LENGTH
- 3 - BARRIER JOINTS HAVE MOVEMENT OF APPROXIMATELY 1 DEGREE ALLOWING FOR A RADIUS OF APPROXIMATELY 260M USING THE HINGE.
- 4 - DRAWINGS SHOW TWO WAY TRAFFIC. WHERE REGULATIONS ALLOW, A DEPARTURE TERMINAL MAY NOT BE REQUIRED FOR ONE WAY TRAFFIC AND WOULD BE ON A SITE SPECIFIC RISK ASSESSMENT.

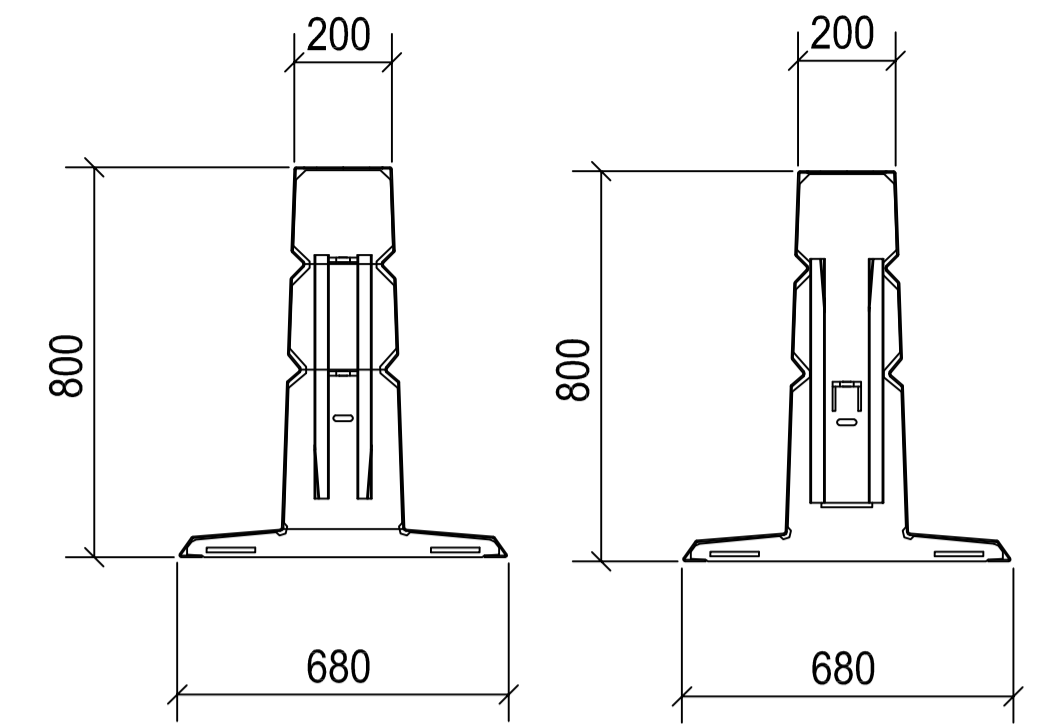
info@safebarriers.com p. AUS 1800 169 799 NZ 09 950 7186



SINGLE DEFENDER BARRIER UNIT
ELEVATION VIEW



SINGLE DEFENDER BARRIER UNIT
VIEW FROM ABOVE



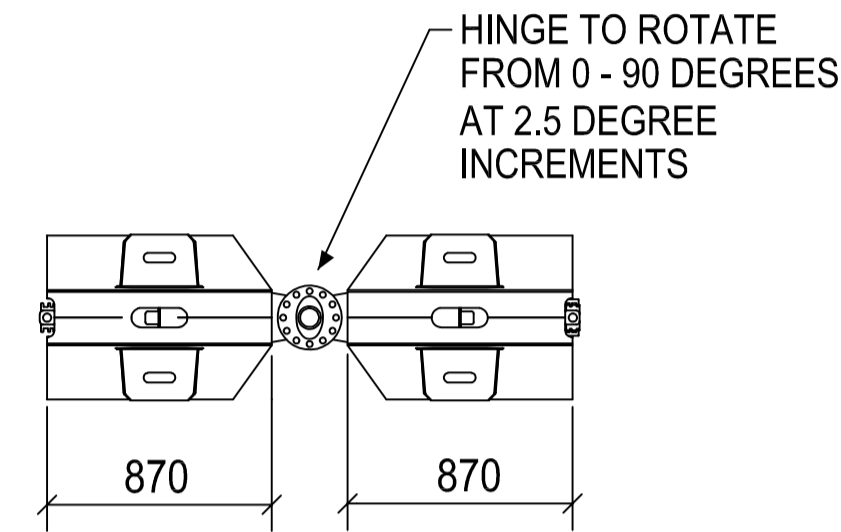
MALE END

FEMALE END

DEFENDER BARRIER FREE STANDING

DEFENDER 70™ 2-11 Free Standing Speed kph						
IMPACT° / TRAFFIC LANES	100	90	80	70	60	50
25° / 5 LANES				1.20	1.03	0.86
20° / 4 LANES				0.97	0.83	0.69
15° / 3 LANES				0.73	0.63	0.53
10° / 2 LANES				0.49	0.42	0.35
5° / 1 LANES				0.25	0.21	0.18

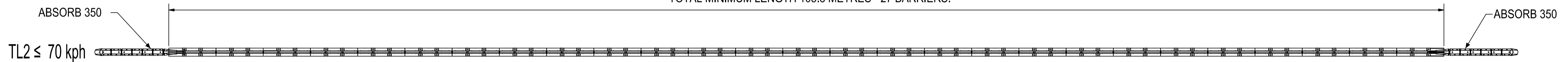
Deflection Metres (Free Standing / No Anchors)



PLAN
D1-870
DEFENDER HINGE

PLAN

TOTAL MINIMUM LENGTH 105.3 METRES - 27 BARRIERS.



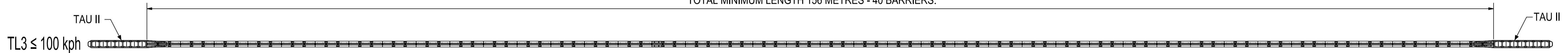
ELEVATION

DEFENDER BARRIER 100 FS™ 3-11 Speed kph						
IMPACT° / TRAFFIC LANES	100	90	80	70	60	50
25° / 5 LANES	1.9	1.71	1.52			
20° / 4 LANES	1.54	1.38	1.23			
15° / 3 LANES	1.16	1.04	0.93			
10° / 2 LANES	0.78	0.7	0.62			
5° / 1 LANES	0.39	0.35	0.31			

Deflection Metres (Free Standing / No Anchors)

PLAN

TOTAL MINIMUM LENGTH 156 METRES - 40 BARRIERS.



ELEVATION

REV	DATE	DESCRIPTION	DRAWN	APPRD.
0	08/03/19	ISSUED FOR CONSTRUCTION	JM	DM
A	08/03/19	ISSUED FOR REVIEW	JM	DM

SAFE BARRIERS

DRAWING DESCRIPTION

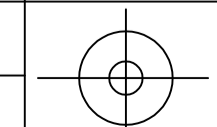
TRAFFIC PLANNING DRAWING - DEFENDER FREE STANDING

DRAWING REF.

SB-TMP-FREE - 0001

DIMENSIONS
DATE

MM
08 Mar. 2019



SHEET 1 of 1

DRAWN BY

JM

CHECKED

CJR

APPROVED

DM