

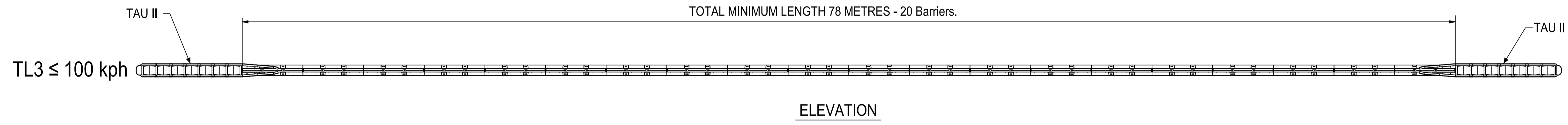
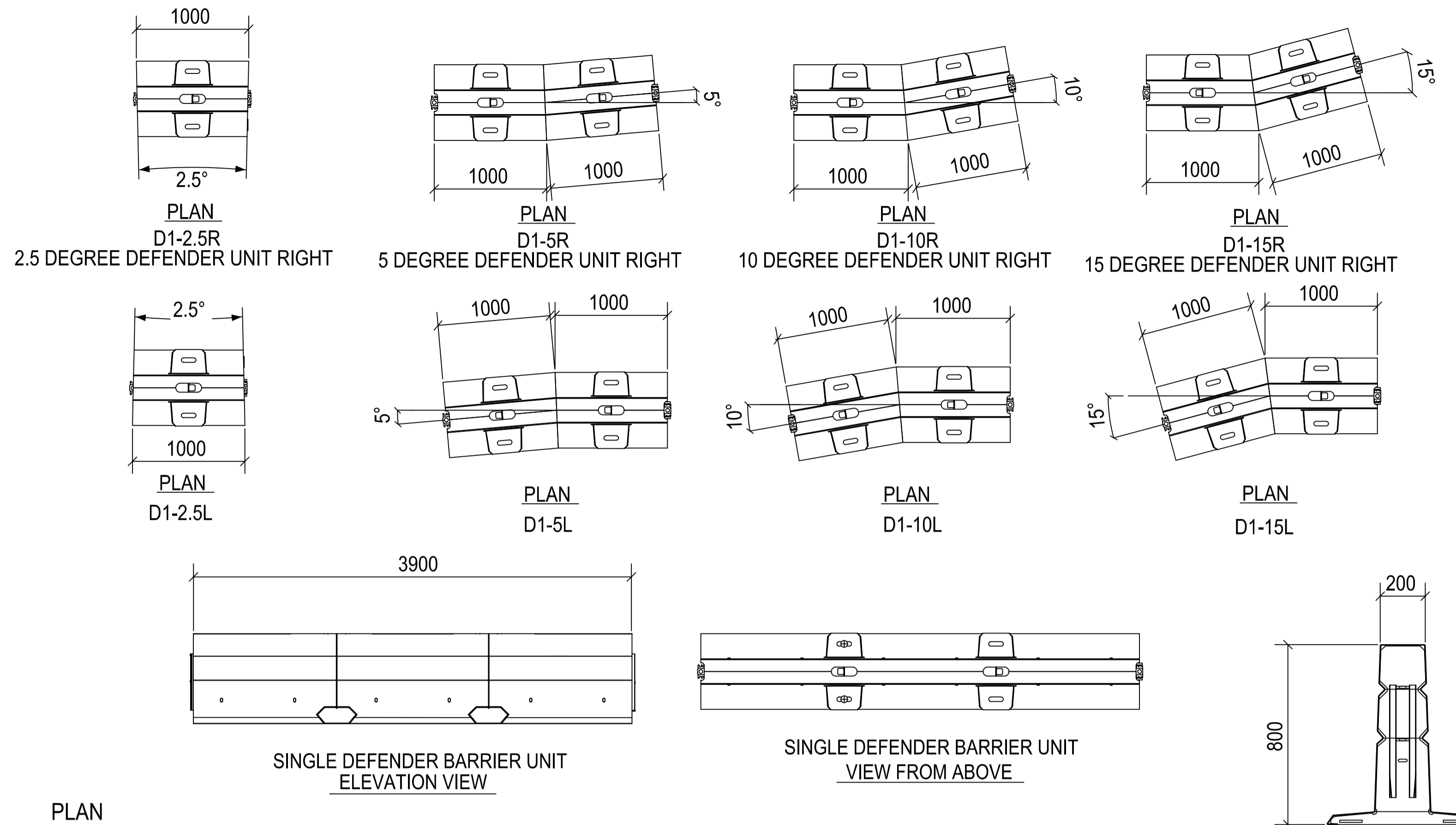
NOTES:

- 1 - THE LAYOUTS SHOWN ARE INDICATIVE OF THE AS-TESTED RESULTS
- 2 - CONTACT SAFE BARRIERS IF IT IS NOT POSSIBLE TO INSTALL AT LEAST THE CORRECT MINIMUM LENGTH
- 3 - BARRIERS ARE SHOWN WITH TAU II ANCHORED CRASH CUSHION
- 4 - WHERE ABSORB 350 WATER FILLED TERMINAL OR ANY OTHER TERMINAL IS PREFERRED PLEASE CONTACT SAFE BARRIERS FOR ADVICE.
- 5 - BARRIER JOINTS HAVE MOVEMENT OF APPROXIMATELY 1 DEGREE ALLOWING FOR A RADIUS OF APPROXIMATELY 260M WITHOUT ADDITIONAL MITRED UNITS.
- 6 - DRAWINGS SHOW TWO WAY TRAFFIC. WHERE REGULATIONS ALLOW, A DEPARTURE TERMINAL MAY NOT BE REQUIRED FOR ONE WAY TRAFFIC AND WOULD BE ON A SITE SPECIFIC RISK ASSESSMENT.

info@safebarriers.com p. AUS 1800 169 799 NZ 09 950 7186

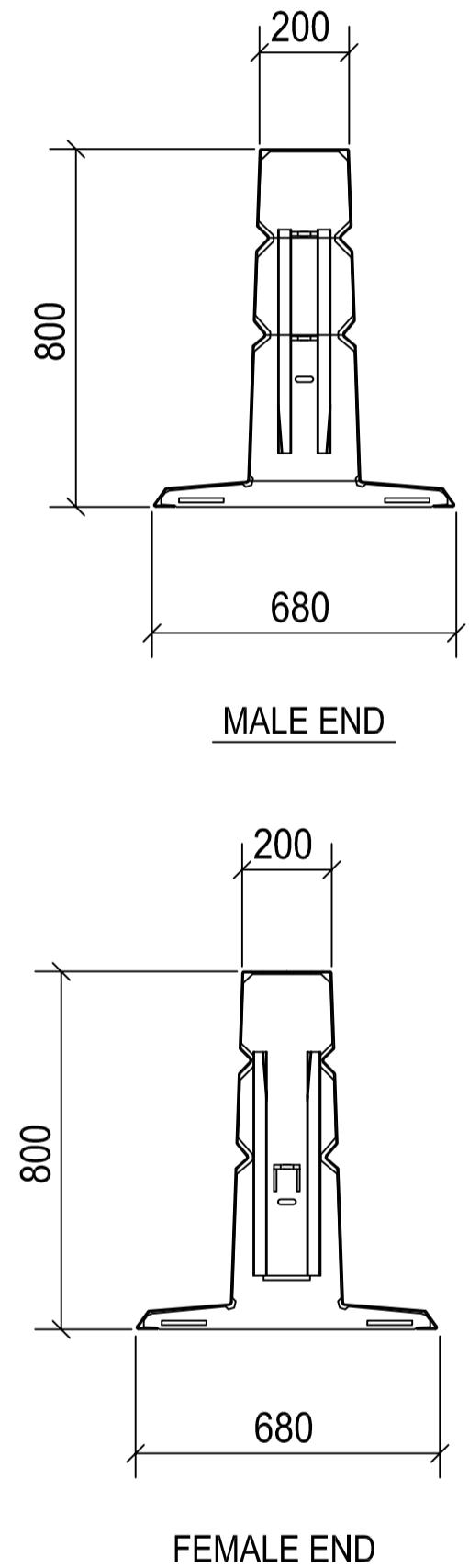
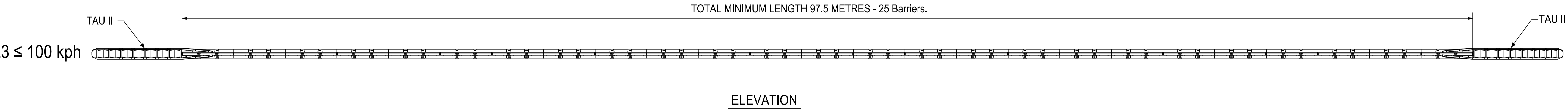
DEFENDER BARRIER 100 LDS™ 3-11							
Speed kph							
IMPACT° / TRAFFIC LANES	100	90	80	70	60	50	
25° / 5 LANES	0.88	0.79	0.7	0.62	0.53	0.44	
20° / 4 LANES	0.71	0.64	0.57	0.5	0.43	0.36	
15° / 3 LANES	0.54	0.48	0.43	0.38	0.32	0.27	
10° / 2 LANES	0.36	0.33	0.29	0.25	0.22	0.18	
5° / 1 LANES	0.18	0.16	0.14	0.13	0.11	0.09	
Deflection Metres (pinned at 9.15 metres / Every Second Barrier)							

LOW DEFLECTION SYSTEM



DEFENDER BARRIER 100 HC™ 4-11							
Speed kph							
IMPACT° / TRAFFIC LANES	100	90	80	70	60	50	
25° / 5 LANES	* 2.3	2.07	1.84	1.61	1.38	1.15	
20° / 4 LANES	1.86	1.67	1.49	1.3	1.11	0.93	
15° / 3 LANES	1.41	1.27	1.13	0.99	0.84	0.7	
10° / 2 LANES	0.95	0.85	0.76	0.66	0.57	0.47	
5° / 1 LANES	0.47	0.43	0.38	0.33	0.28	0.24	
Deflection Metres (pinned at 48.15 metres / Every 12th Barrier)							

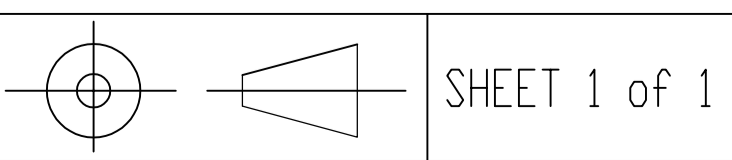
HIGH CONTAINMENT SYSTEM



REV	DATE	DESCRIPTION	DRAWN	APPRD.
0	08/03/19	ISSUED FOR CONSTRUCTION	JM	DM
A	08/03/19	ISSUED FOR REVIEW	JM	DM

SAFE BARRIERS

DIMENSIONS	MM
DATE	08 Mar. 2019



DRAWING DESCRIPTION	TRAFFIC PLANNING DRAWING - DEFENDER ANCHORED				
DRAWING REF.	SB-TMP-ANCHORED - 0001				
DRAWN BY	JM	CHECKED	CJR	APPROVED	DM