

1

2

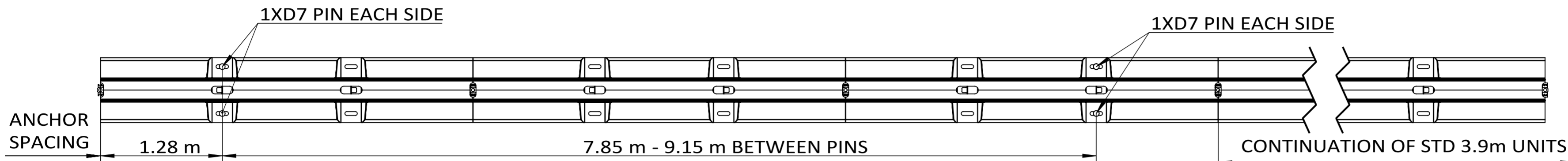
3

4

A

A

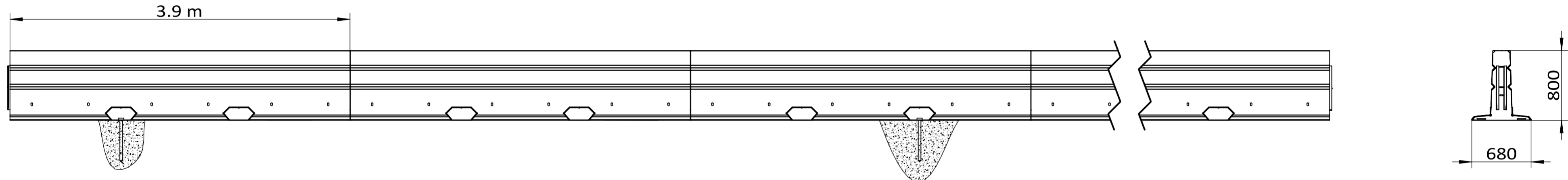
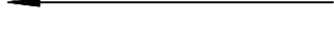
TRAFFIC FLOW



B

B

TRAFFIC FLOW



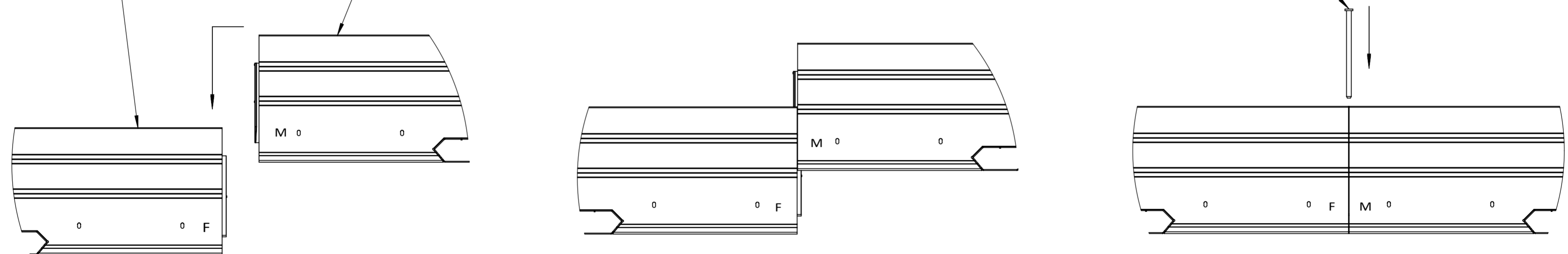
C

C

FEMALE END

MALE END

D10 PIN



CONNECTION DETAIL-STEP 1
ORIENTATE FEMALE END TO MALE END

CONNECTION DETAIL-STEP 2
SLIDE MALE END ONTO FEMALE

CONNECTION DETAIL-STEP 3
INSERT THE PIN

D

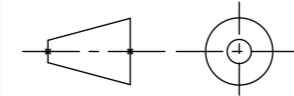
D

Tolerances unless otherwise stated
 Machining: up to 300mm ±0.50
 300 to ~ ±0.80
 Fabrication: up to 300mm ±2.00
 300 to 1000mm ±3.00
 1000 to ~ ±6.00
 Angular: all ±2.0°

MATERIAL
 FINISH
 WEIGHT
 DIMENSIONS
 DATE

MM

SAFE BARRIERS



SHEET 1 of 1

DRAWING DESCRIPTION
 DRAWING REF.
 DRAWN BY

DEFENDER D100LDS SYSTEM
INSTALLATION DETAILS

D100-LDS

DC CHECKED RM APPROVED RH

REV	DATE	DESCRIPTION	DRAWN	APPRD.
1				

1

2

3

4