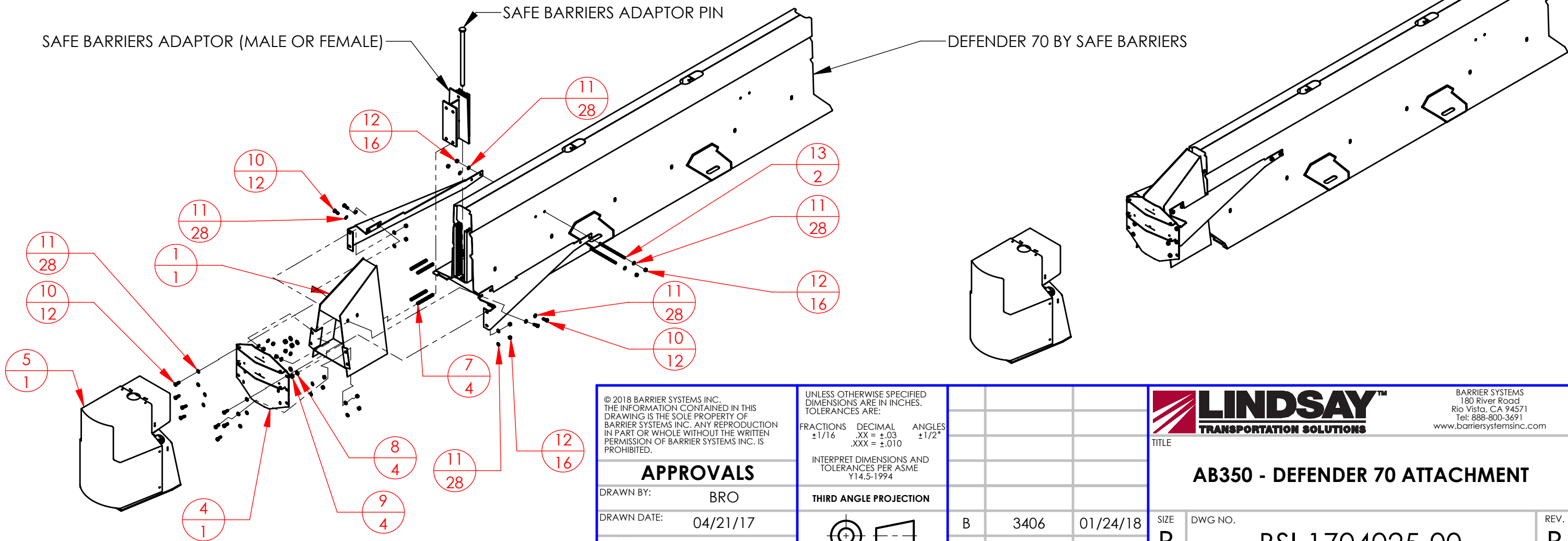


NOTES: UNLESS OTHERWISE SPECIFIED.

- INSTALL SAFE BARRIERS ADAPTOR & PIN FIRST.
- INSTALL 4 EA. BSI-2001916 INTO SAFE BARRIER ADAPTOR, APPROX 3MM OF THREADS EXPOSED ON NUT SIDE OF CONNECTION.
- ATTACH B000518 TO ADAPTOR OVER BSI-2001916 USING 4 EA BSI-2001917 & BSI-2001918. BSI-2001918 SHOULD BE TIGHTENED SUCH THAT B000518 BUTTS UP TO DEFENDER 70 BARRIER.
- LOOSELY INSTALL B000207 & B000209 TO B000518 USING 4 EA. BSI-2001919, BSI-2001921 & 8 EA. BSI-2001920. NUT LOCATED ON THE INSIDE OF THE HOUSING.
- LOOSELY INSTALL B000611 TO B000518, B000207 & B000209 USING 8 EA. BSI-2001919, BSI-2001921 & 16 EA. BSI-2001920. NUT LOCATED ON THE DEFENDER 70 BARRIER SIDE OF THE CONNECTIONS.
- TIGHTEN ALL BOLTS DOWN.
- DRILL HOLES IN DEFENDER 70 TO MATCH THE SLOTS IN THE END OF B000207 & B000209.
- INSTALL 2 EA. BSI-2001922 & 4 EA. BSI-2001920 & BSI-2001921 TO END OF STRAPS. CUT OFF ANY EXTRA THREADS FROM THREADED ROD IF DESIRED ONCE TIGHTENED,
- ABSORB 350 SYSTEM TO BE INSTALLED BETWEEN B00611 & B010825.

| ITEM NO. | PART NO. | DESCRIPTION | QTY. | UOM | |
|----------|----------------|---|---------------------------------|-----|----|
| 1 | b000518 | ADAPTER, TAPERED ABSORB 350 PCB | 1 | EA | |
| 2 | b000207 | STRAP, LEFT ADAPTER ABSORB 350 P.C.B. | 1 | EA | |
| 3 | b000209 | STRAP, RIGHT ADAPTER ABSORB 350 P.C.B. | 1 | EA | |
| 4 | B000611 | ADAPTER, HINGE PLATE, GALV WELDMENT ABSORB 350 P.C.B. | 1 | EA | |
| 5 | B010825 | ABSORB 350 NOSE ASSEMBLY | 1 | EA | |
| 6 | BSI-1704040-00 | AB350 - DEF70 HDW KIT METRIC | 1 | EA | |
| * | 7 | BSI-2001916 | M18X2.5X180MM GR B7 THREAD ROD | 4 | EA |
| * | 8 | BSI-2001917 | M18 FLAT WASH CLASS 10.9 ZINC | 4 | EA |
| * | 9 | BSI-2001918 | M18X2.5 HNUIT CLASS 10 ZINC PL | 4 | EA |
| * | 10 | BSI-2001919 | M14X2X40MM HHCS GR 8.8 ZINC PL | 12 | EA |
| * | 11 | BSI-2001920 | M14 FLAT WASH CLASS 10.9 ZINC | 28 | EA |
| * | 12 | BSI-2001921 | M14X2 HNUIT NYLOCK CLASS 8 ZINC | 16 | EA |
| * | 13 | BSI-2001922 | M14X2X290MM GR B7 THREAD ROD | 2 | EA |

ITEMS MARKER WITH " * " ARE INCLUDED IN BSI-1704040-00 KIT



| | | | | | | | |
|--|--|---|--|------------------------------------|--|--|--|
| © 2018 BARRIER SYSTEMS INC. THE INFORMATION CONTAINED IN THIS DRAWING IS THE SOLE PROPERTY OF BARRIER SYSTEMS INC. ANY REPRODUCTION IN PART OR WHOLE WITHOUT THE WRITTEN PERMISSION OF BARRIER SYSTEMS INC. IS PROHIBITED. | | UNLESS OTHERWISE SPECIFIED DIMENSIONS ARE IN INCHES. TOLERANCES ARE: FRACTIONS DECIMAL ANGLES $\pm 1/16$.XX = ± 0.03 $\pm 1/2^\circ$.XXX = ± 0.010 | | | | BARRIER SYSTEMS 180 River Road Rio Vista, CA 94571 Tel: 888-800-3691 www.barriersystemsinc.com | |
| AB350 - DEFENDER 70 ATTACHMENT | | | | TITLE | | AB350 - DEFENDER 70 ATTACHMENT | |
| APPROVALS DRAWN BY: BRO DRAWN DATE: 04/21/17 APPR'D BY: GAD APPR'D DATE: 04/21/17 | | THIRD ANGLE PROJECTION | | B 3406 01/24/18 A 3406 04/21/17 | | SIZE DWG NO. REV. B BSI-1704025-00 B | |
| DO NOT SCALE DRAWING | | | | REV ECN# DATE | | SCALE 1:64 SHEET 1 OF 1 | |