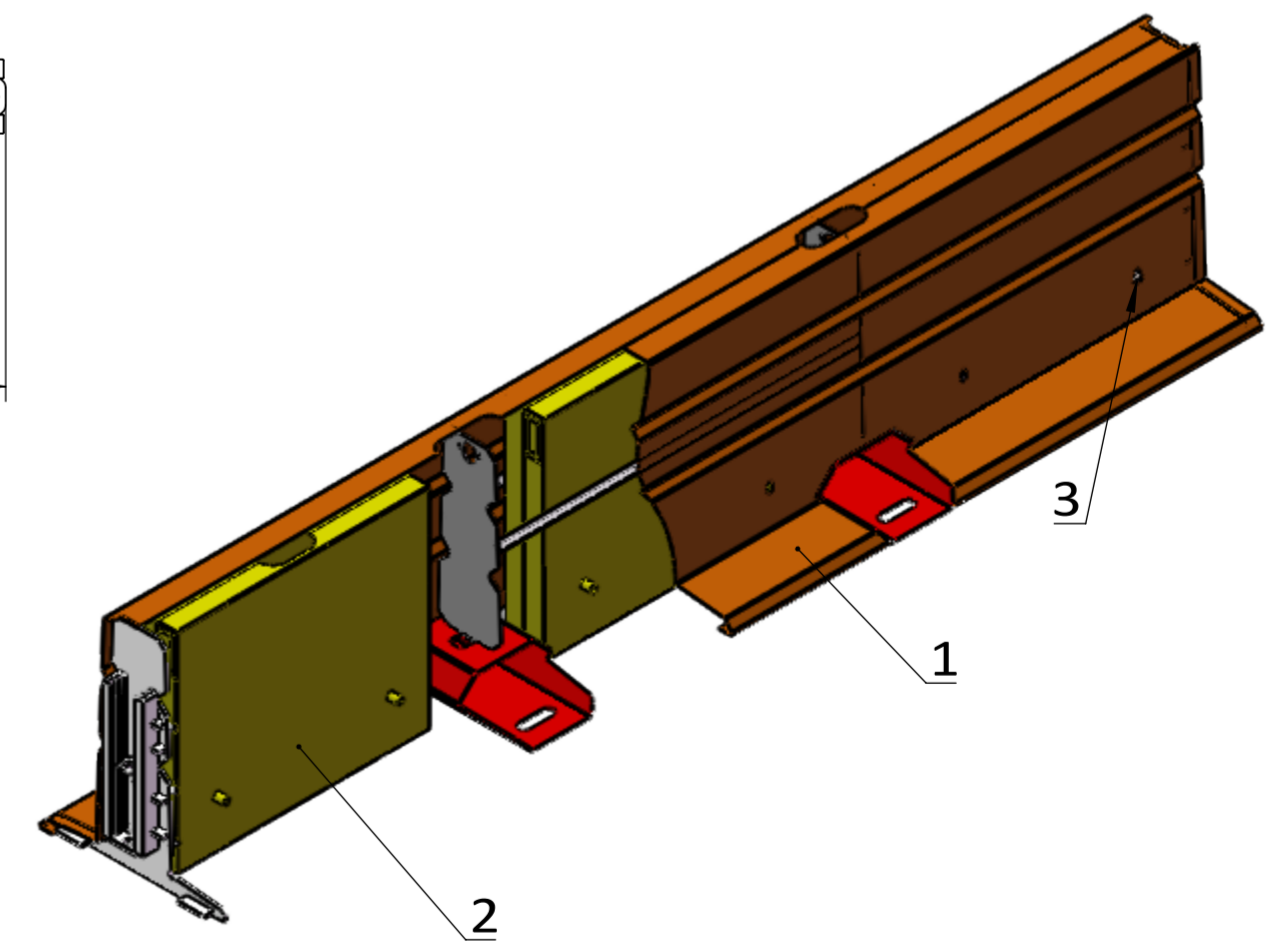
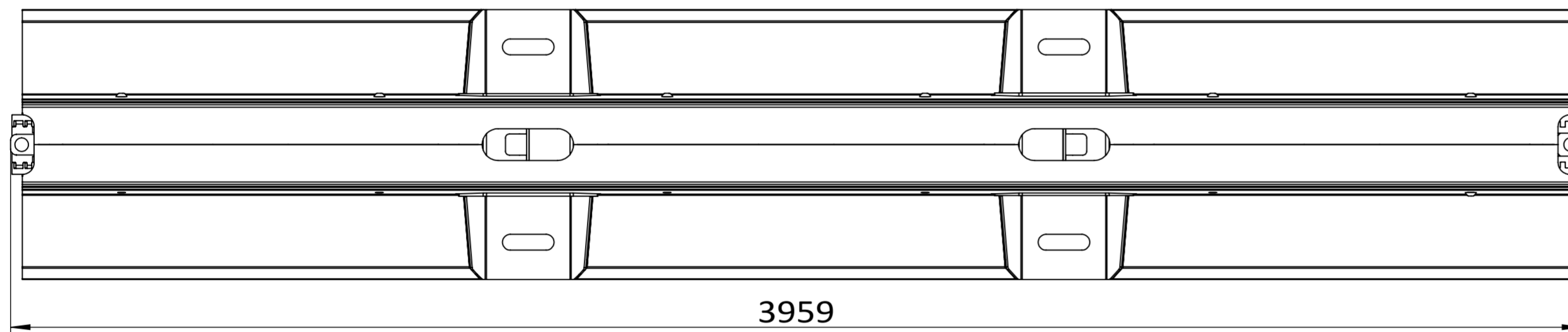
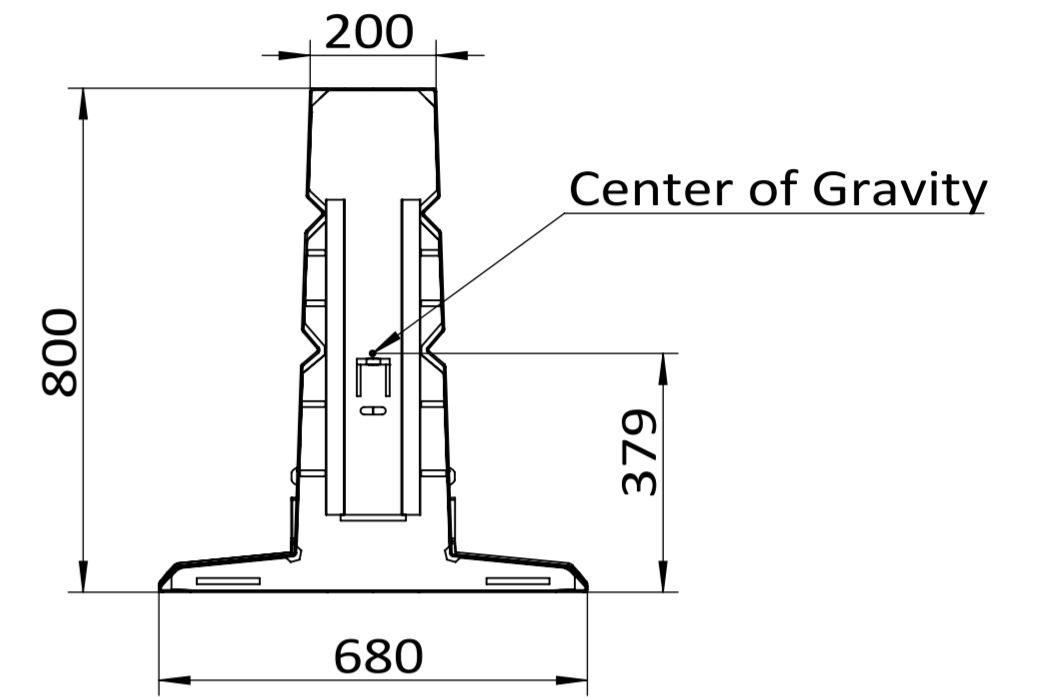
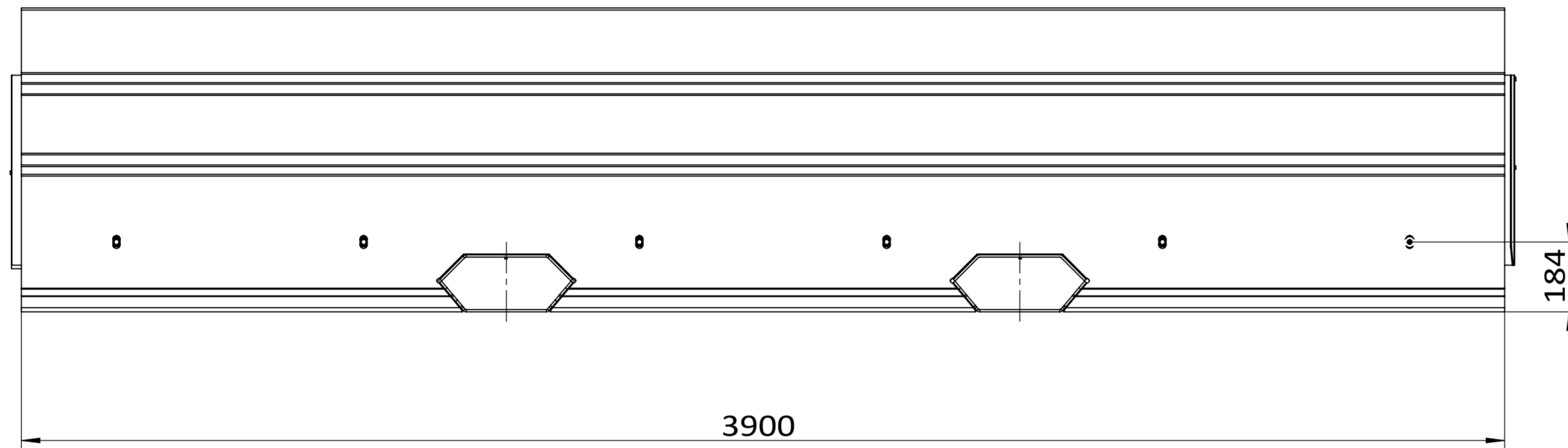


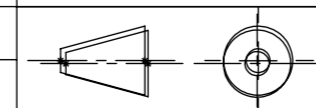
ITEM	DRAWING NO.	DESCRIPTION	QTY.
1	D1	DEFENDER MAIN BODY	1
2	D8	BALLAST BOX	3
3	GB70.2	GB_SOCKET_TYPE7 M16X30-N	12



Tolerances unless otherwise stated
Machining: up to 300mm ±0.50
300 to ~ ±0.80
Fabrication: up to 300mm ±2.00
300 to 1000mm ±3.00
1000 to ~ ±6.00
Angular: all ±2.0°

MATERIAL	SEE PARTS TABLE
FINISH	HOT DIP GALVANISED
WEIGHT	1200 KG
DIMENSIONS	MM
DATE	15 Dec. 2016

SAFE BARRIERS



SHEET 1 of 1

DRAWING DESCRIPTION	DEFENDER 70				
DRAWING REF.	D70				
DRAWN BY	DC	CHECKED	RM	APPROVED	RH

REV	DATE	DESCRIPTION	DRAWN	APPRD.
1				