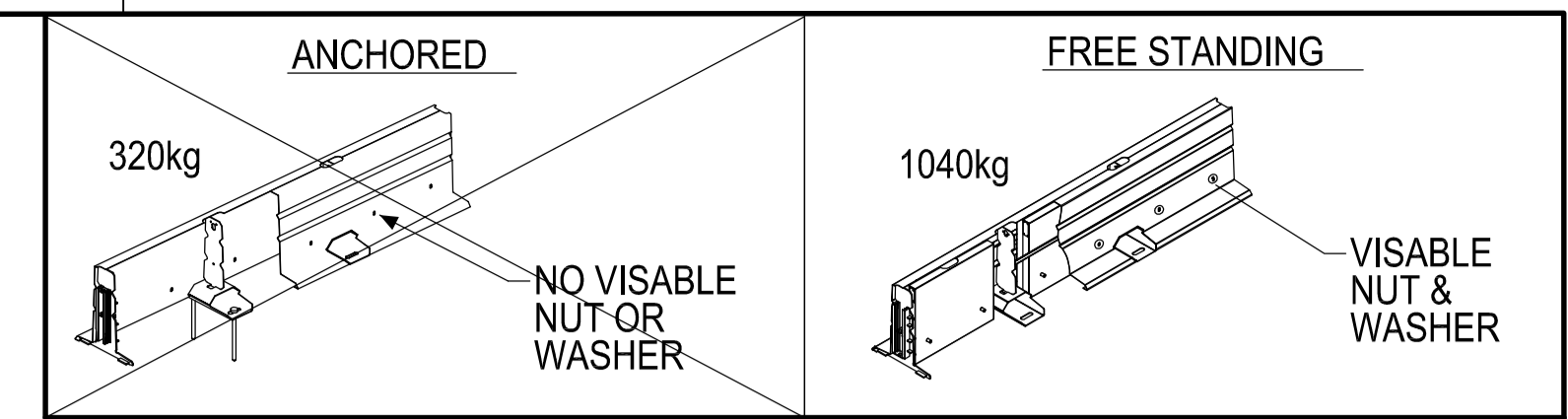


NOTES:

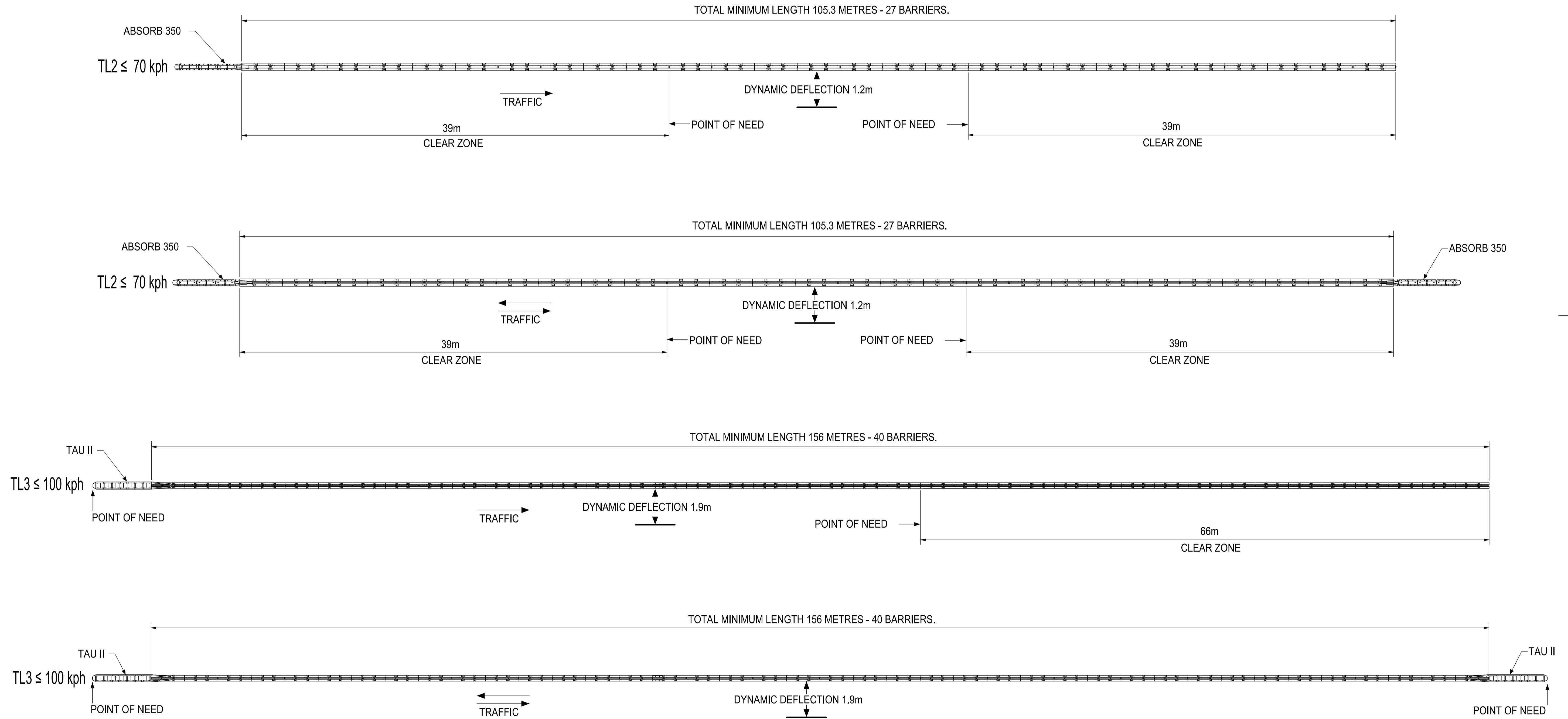
THE LAYOUTS SHOWN ARE INDICATIVE OF THE AS-TESTED RESULTS OBTAINED THROUGH MASH16 TL-2 TL-3 AND TL-4 TESTING. CONTACT SAFE BARRIERS IF IT IS NOT POSSIBLE TO  
 1. INSTALL THE CORRECT MINIMUM LENGTH  
 2. INSTALL ANCHORED / FREE STANDING AS REQUIRED  
 3. AT ANY TIME IF THERE IS DOUBT TO THE INSTALLATION OF THE DEFENDER BARRIER SYSTEM.

info@safebarriers.com p. AUS 1800 169 799 NZ 09 950 7186

**DEFENDER BARRIER FREE STANDING**  
 UNANCHORED BARRIERS WITH BALLAST BOXES INSTALLED



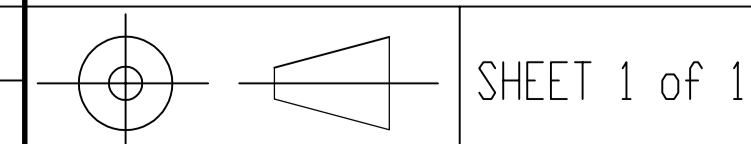
NOTES:  
 FREE STANDING DEFENDER BARRIERS ARE CLEARLY IDENTIFIED BY THE 6 BOLTS AND WASHERS THAT APPEAR ON EACH SIDE OF THE BARRIER. IF NO BOLTS AND WASHERS ARE PRESENT THE BARRIER MAY ONLY BE USED AS PART OF AN ANCHORED SYSTEM OR THE BALLAST BOX MUST BE ADDED.



REV	DATE	DESCRIPTION	DRAWN	APPRD.
0	20/09/18	ISSUED FOR CONSTRUCTION	JM	DM
A	20/09/18	ISSUED FOR REVIEW	JM	DM

DIMENSIONS	MM
DATE	20 Sep. 2018

**SAFE BARRIERS**



DRAWING DESCRIPTION	DEFENDER BARRIER SYSTEM				
DRAWING REF.	SB-FS-SEL - 0001				
DRAWN BY	JM	CHECKED	CJR	APPROVED	DM