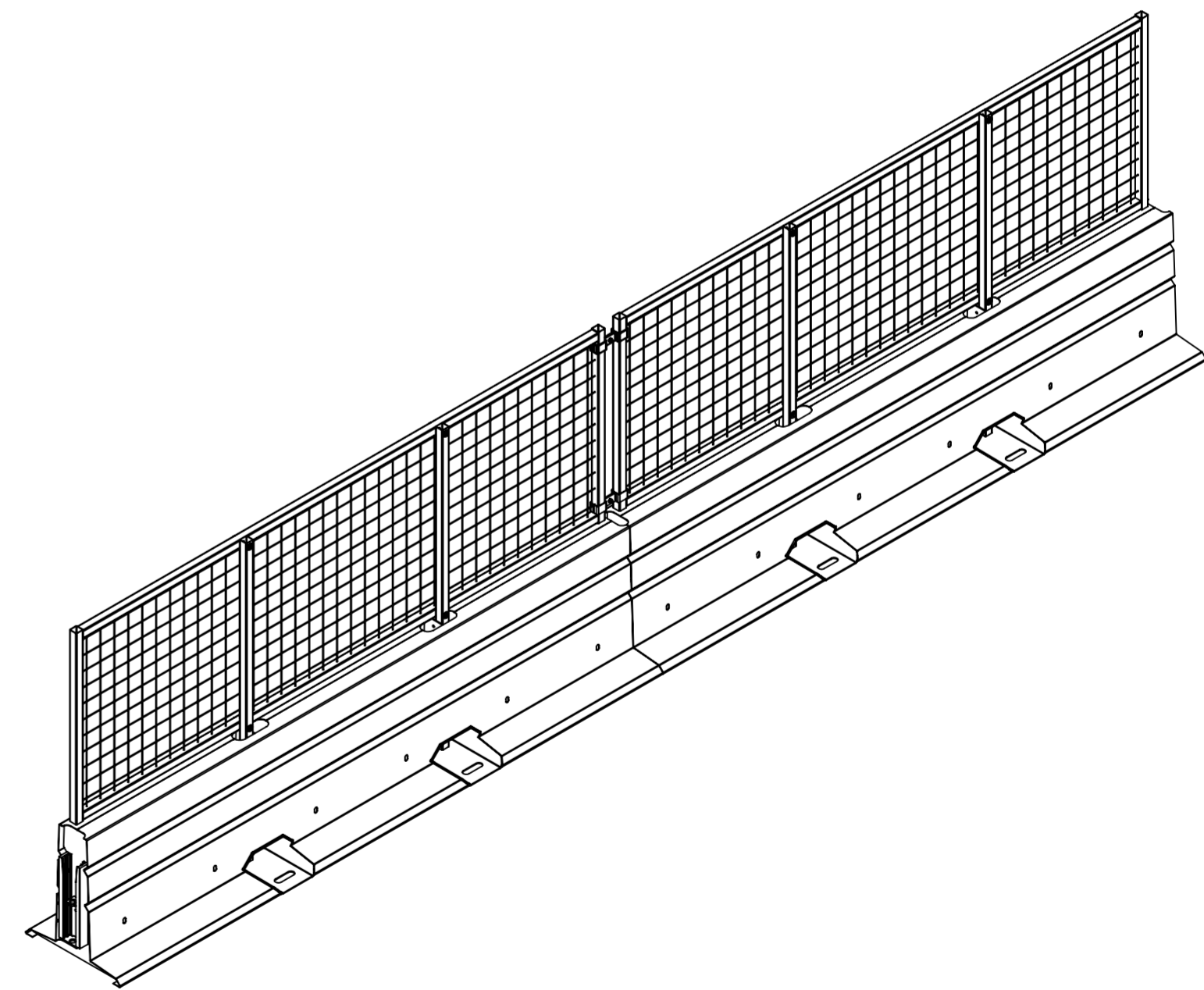
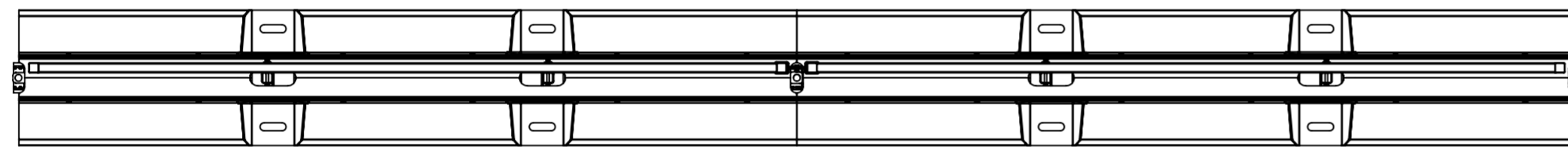
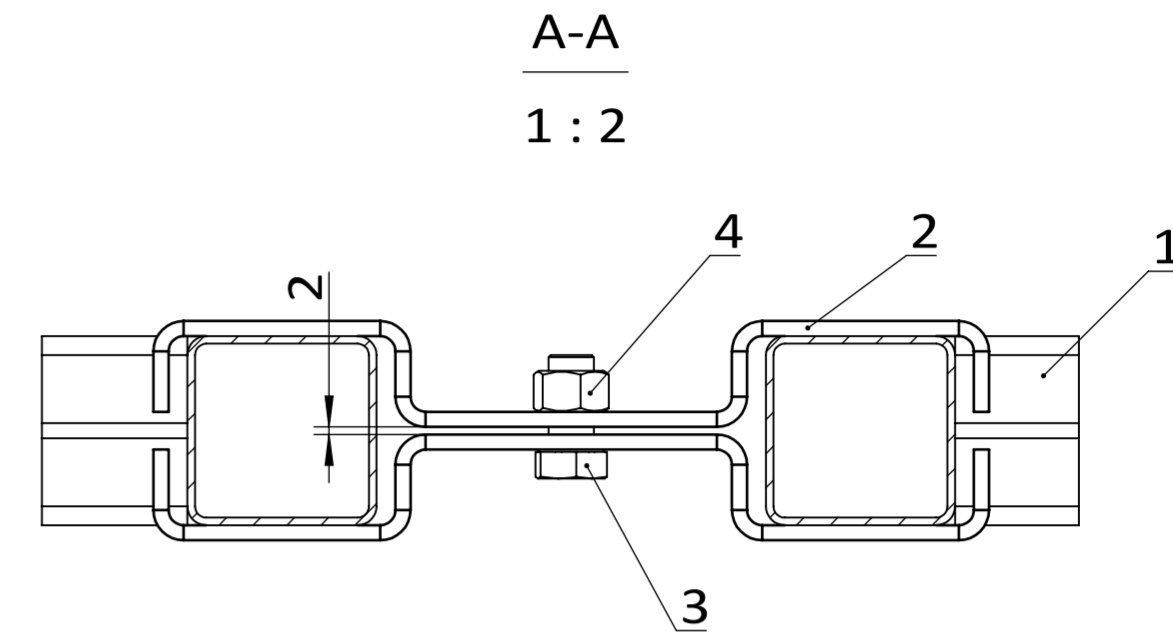
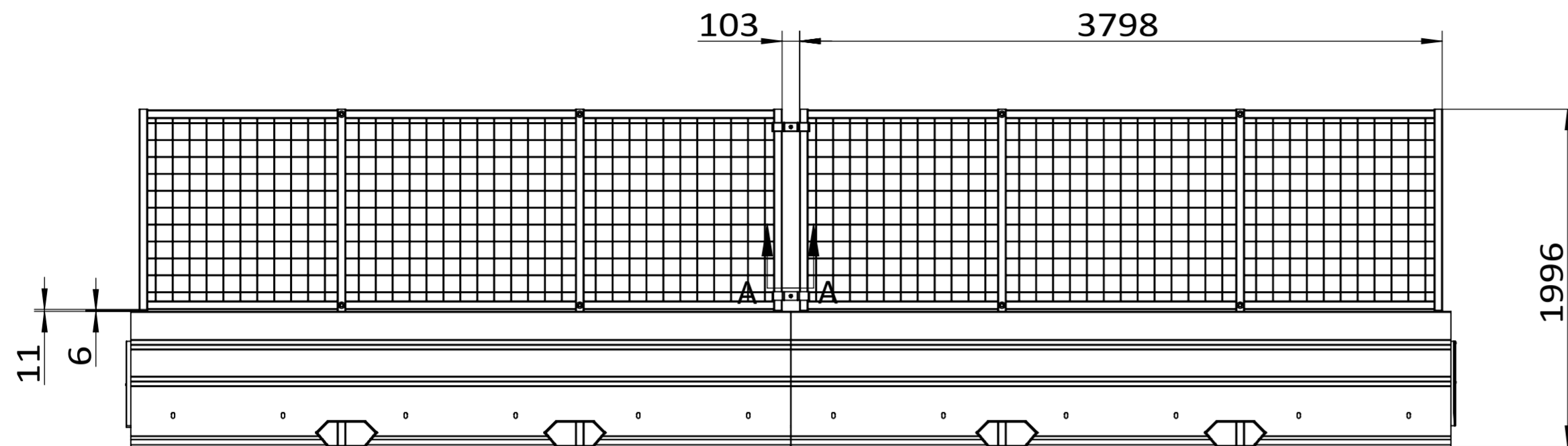


ITEM	DRAWING NO.	DESCRIPTION	QTY.
1	D13	MESH ASSEMBLY	
2	D14	MESH CONNECTING PLATE	
3		BOLT_M12X25	
4		NUT_M12	

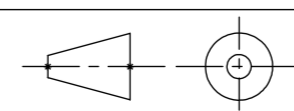


NOTES:  
1.REMOVE ALL BURRS AND SHARP EDGES.

Tolerances unless otherwise stated  
Machining: up to 300mm ±0.50  
              300 to ~ ±0.80  
Fabrication: up to 300mm ±2.00  
              300 to 1000mm ±3.00  
              1000 to ~ ±6.00  
Angular: all ±2.0°

MATERIAL	GB/T3274-2007 GRADE Q345B
FINISH	SELF COLOR
WEIGHT	
DIMENSIONS	MM
DATE	15 Aug 2018

**SAFE BARRIERS**



SHEET 1 of 2

DRAWING DESCRIPTION		DEFENDER MESH SYSTEM				
DRAWING REF.						
DRAWN BY	DC	CHECKED	RM	APPROVED	RH	

REV	DATE	DESCRIPTION	DRAWN	APPRD.

1

2

3

4