

1

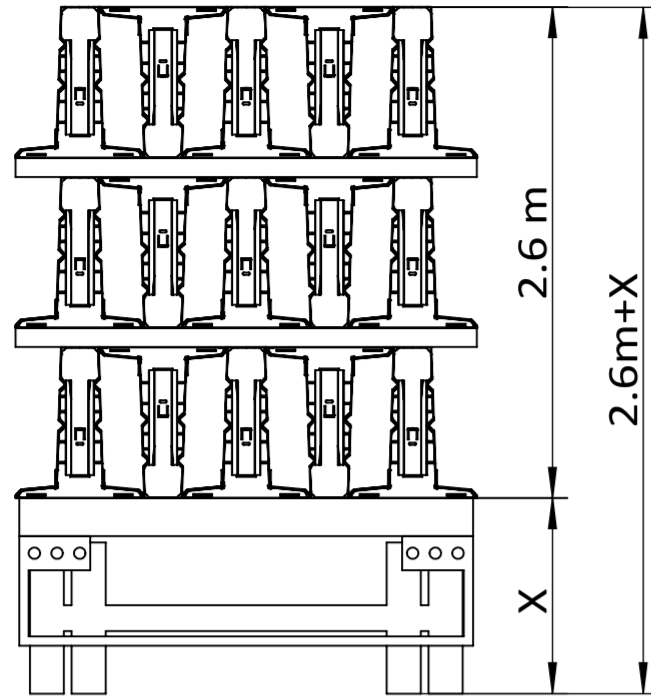
2

3

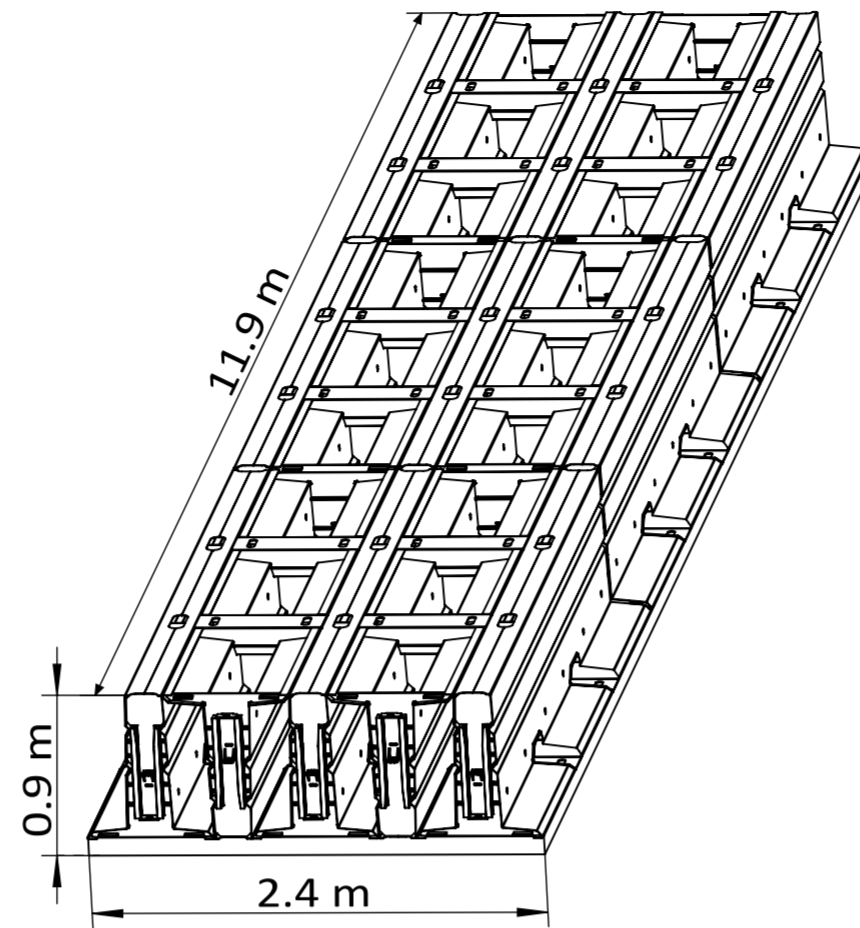
4

A

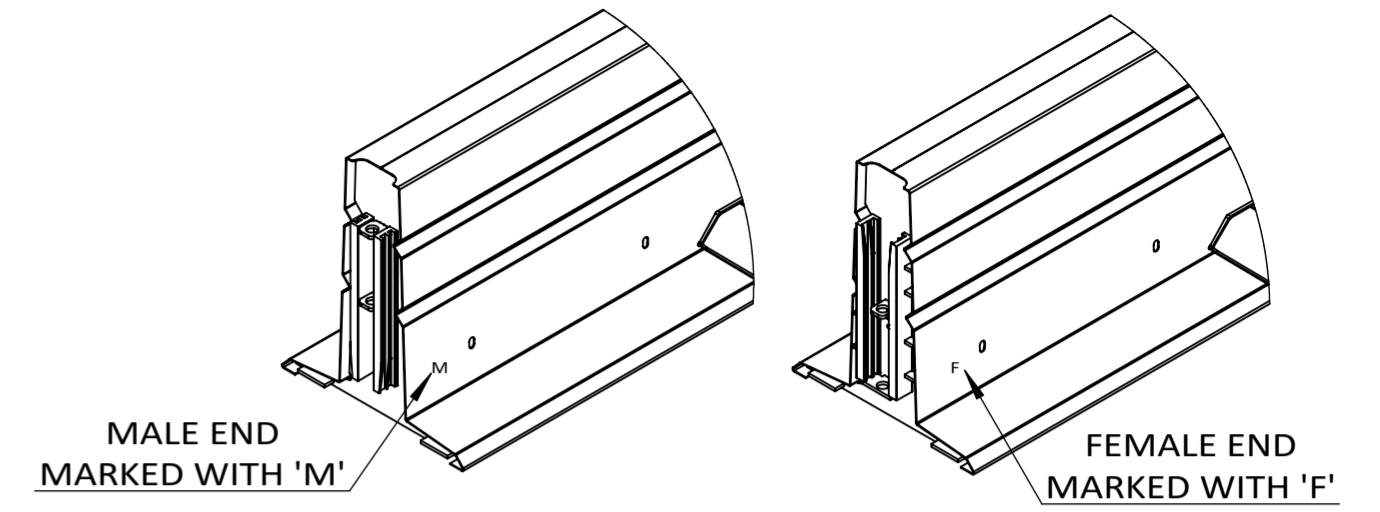
A



FULL TRUCK LOAD DETAIL
 USING 102 x102 NOMINAL(89x89 ACTUAL)
 STEEL DUNNAGE



BUNDLE DETAIL



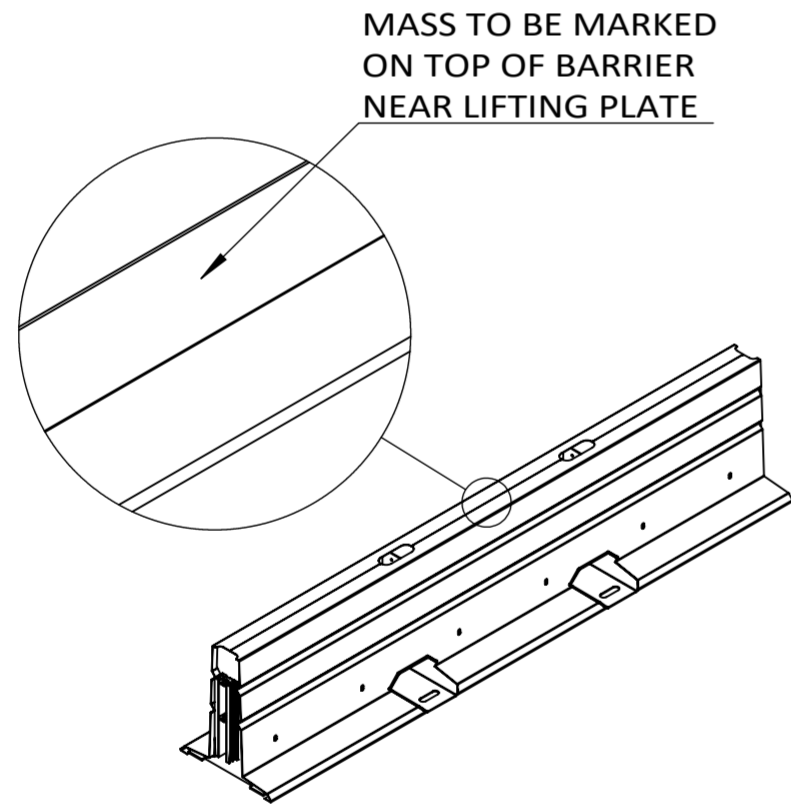
MALE END

FEMALE END

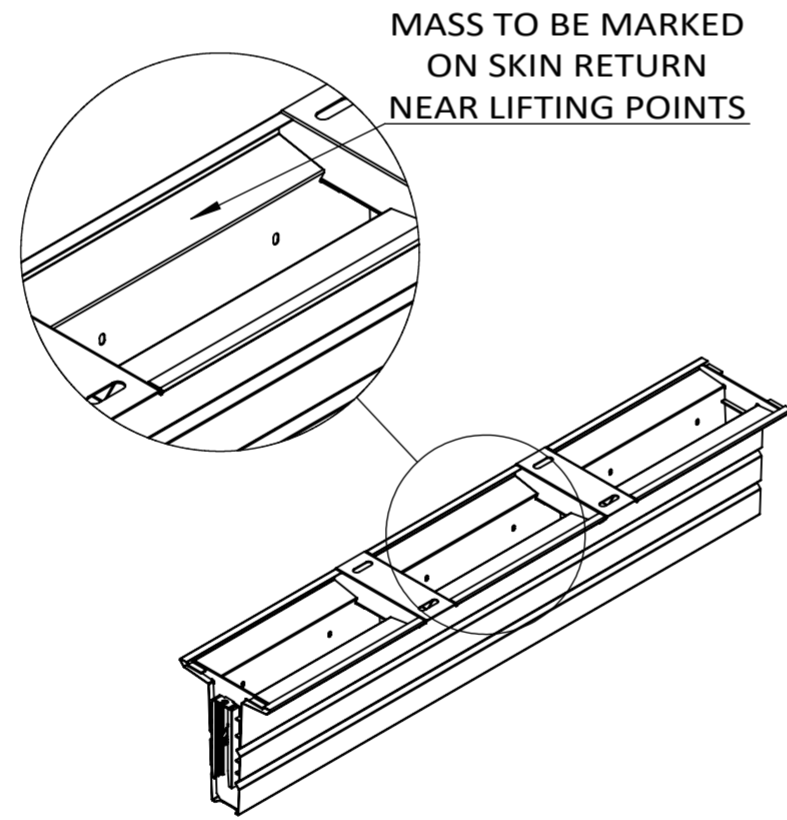
IDENTIFICATION OF MALE/FEMALE ENDS

B

B



TYPICAL 3.9m UPRIGHT UNIT



TYPICAL 3.9m INVERTED UNIT

C

C

D

D

REV	DATE	DESCRIPTION	DRAWN	APPRD.

MATERIAL	
FINISH	
WEIGHT	
DIMENSIONS	
DATE	

SAFE BARRIERS

SHEET 1 of 1

DRAWING DESCRIPTION		TRUCK LOADING AND STACKING DETAILS AND END IDENTIFICATION				
DRAWING REF.						
DRAWN BY	DC	CHECKED	RM	APPROVED	RH	

1

2

3

4