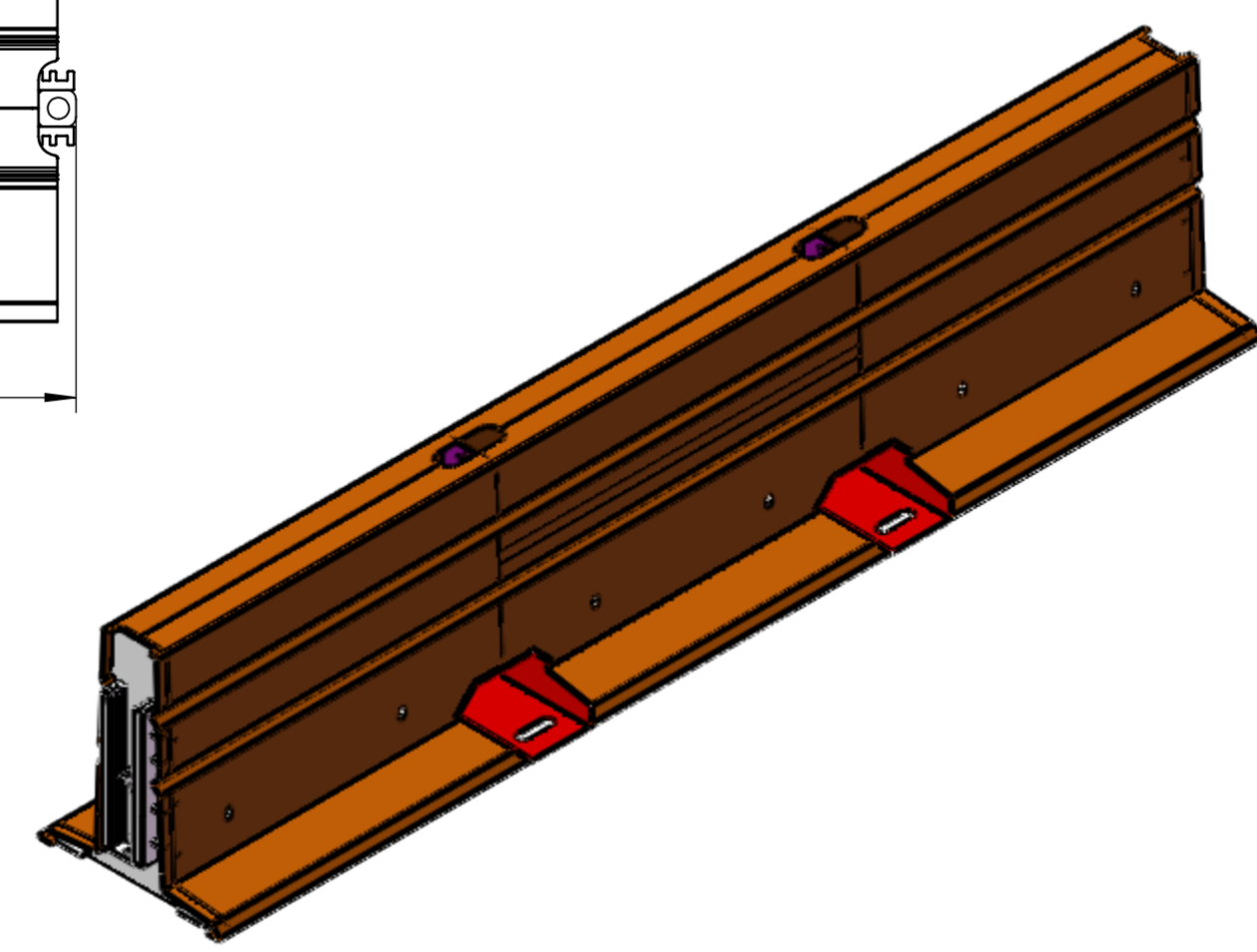
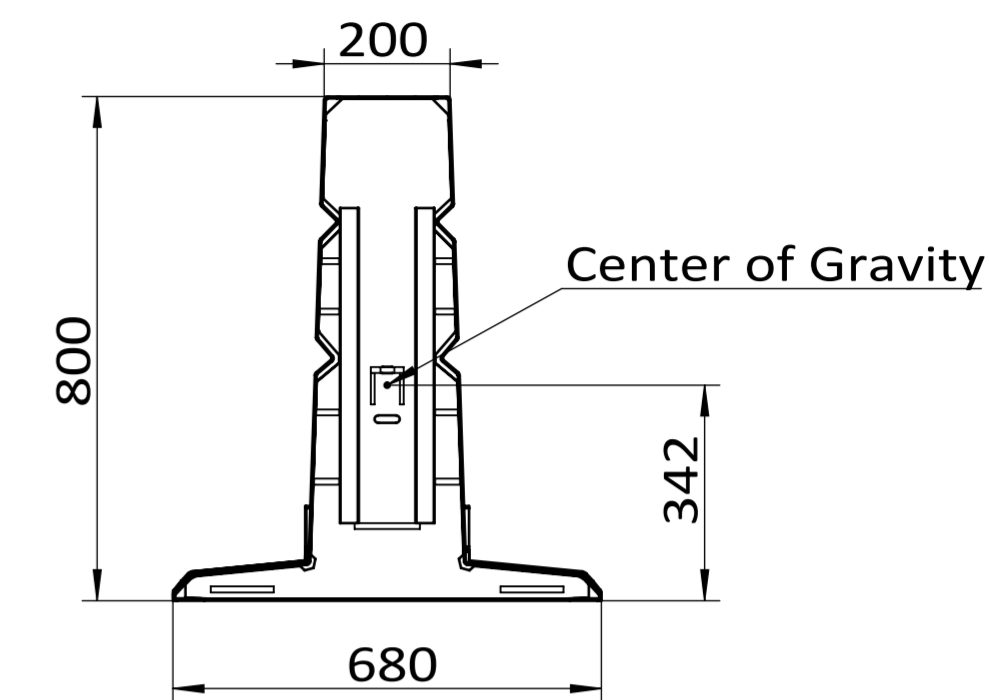
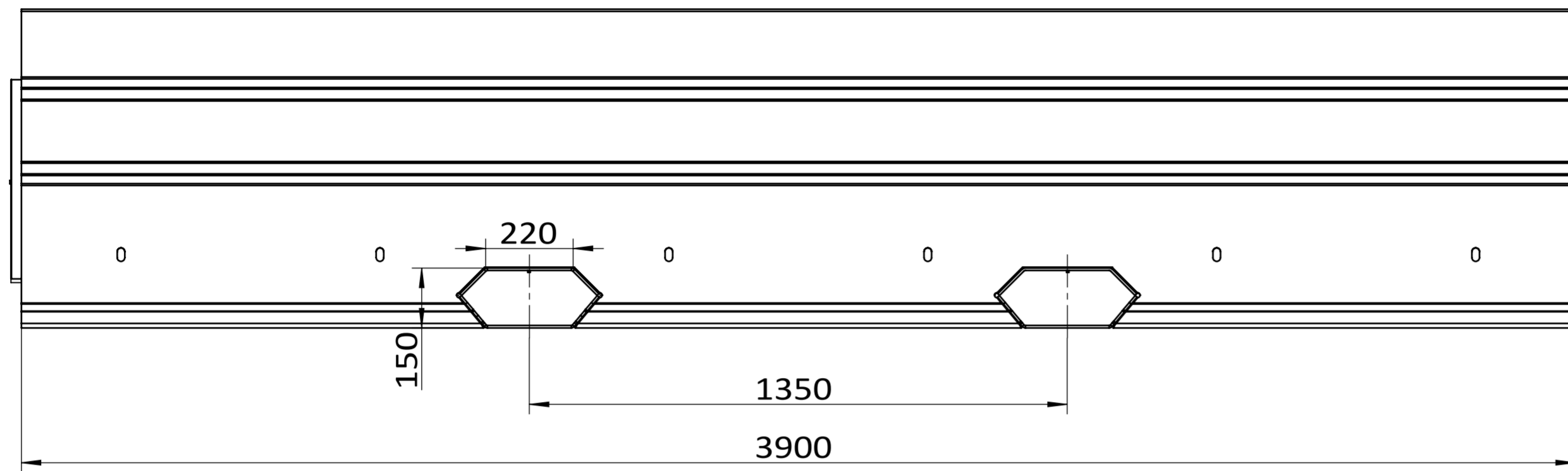


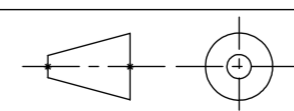
ITEM	DRAWING NO.	DESCRIPTION	QTY.
1	D1	DEFENDER MAIN BODY	1



Tolerances unless otherwise stated
Machining: up to 300mm ±0.50
300 to ~ ±0.80
Fabrication: up to 300mm ±2.00
300 to 1000mm ±3.00
1000 to ~ ±6.00
Angular: all ±2.0°

MATERIAL	SEE PARTS TABLE
FINISH	HOT DIP GALVANISED
WEIGHT	302.64 KG
DIMENSIONS	MM
DATE	15 Dec. 2016

SAFE BARRIERS



SHEET 1 of 1

DRAWING DESCRIPTION	DEFENDER 100				
DRAWING REF.	D100				
DRAWN BY	DC	CHECKED	RM	APPROVED	RH

REV	DATE	DESCRIPTION	DRAWN	APPRD.