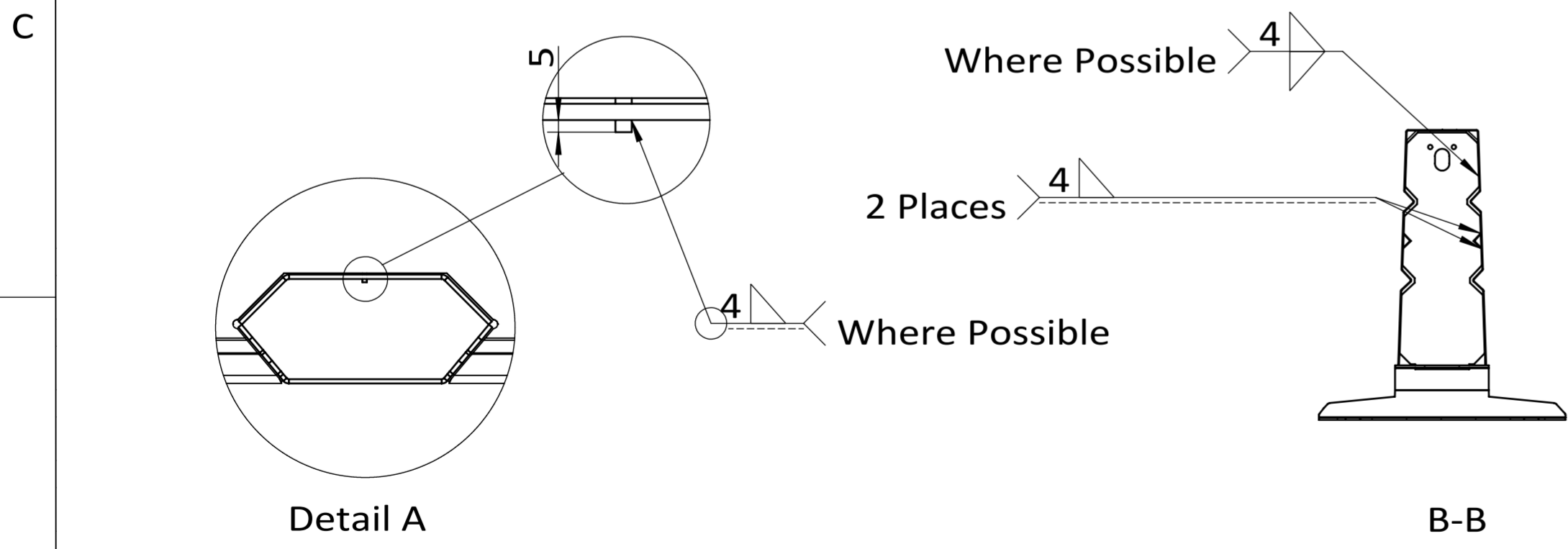
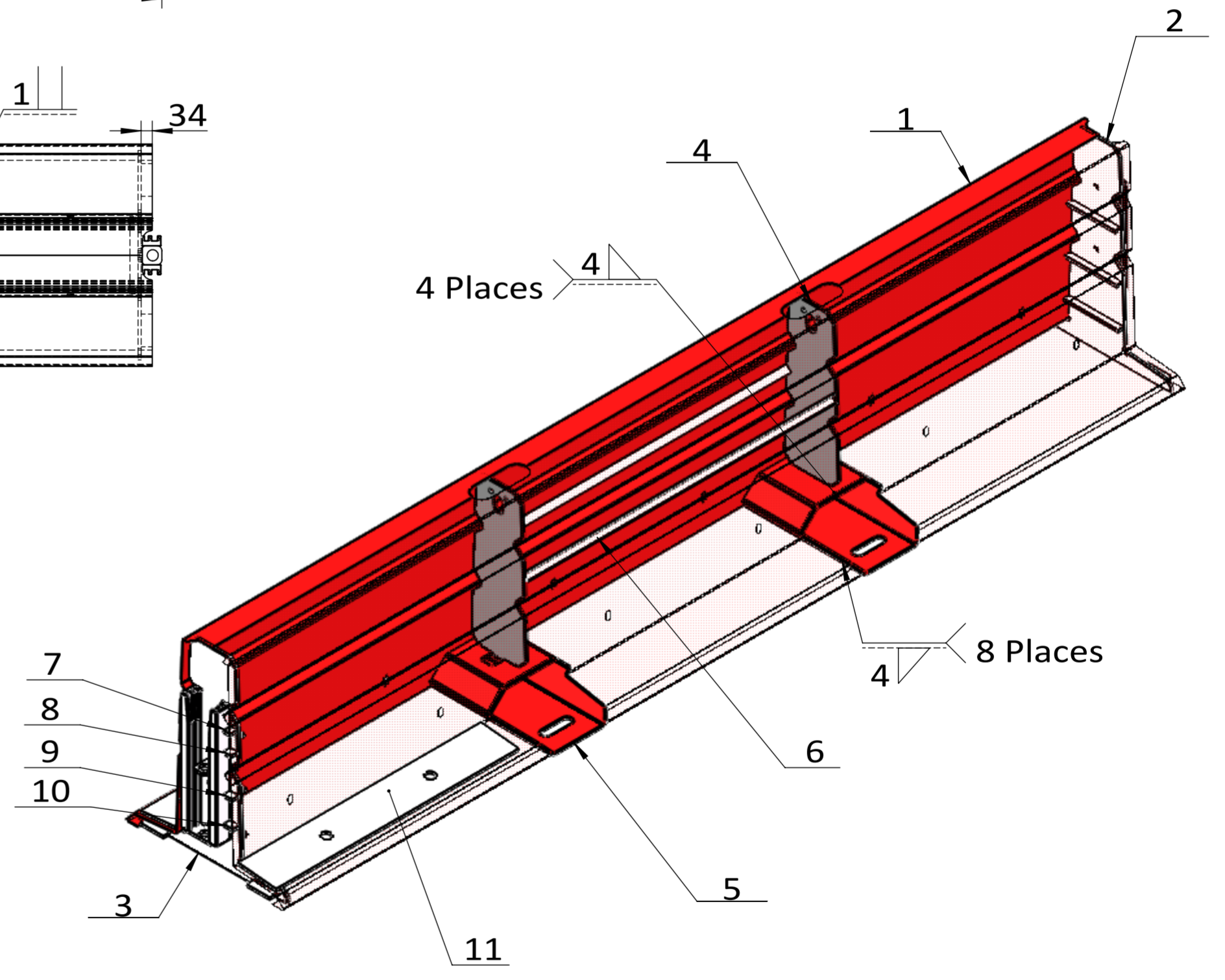
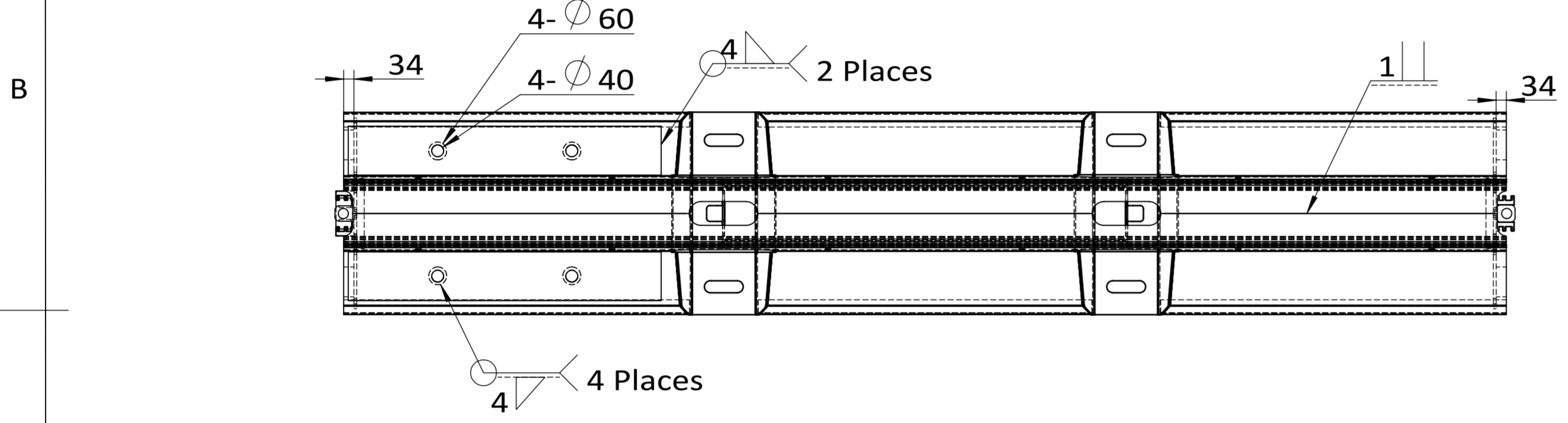


ITEM	DRAWING NO.	DESCRIPTION	QTY.
1	D2	SKIN	2
2	D3	MALE END PLATE ASSEMBLY	1
3	D4	FEMALE END PLATE ASSEMBLY	1
4	D5	LIFTING PLATE	2
5	D6	DRAIN	2
6	D9	ANGLE IRON	2
7	D1-1	RIB PLATE 1	4
8	D1-2	RIB PLATE 2	4
9	D1-3	RIB PLATE 3	4
10	D1-4	RIB PLATE 4	4
11	D11	REINFORCING PLATE	2



REV	DATE	DESCRIPTION	DRAWN	APPRD.
1				

Tolerances unless otherwise stated Machining: up to 300mm ±0.50 300 to ~ ±0.80 Fabrication: up to 300mm ±2.00 300 to 1000mm ±3.00 1000 to ~ ±6.00 Angular: all ±2.0°	MATERIAL	SEE PARTS TABLE
	FINISH	HOT DIP GALVANISED
	WEIGHT	340 KG GALV
	DIMENSIONS	MM
	DATE	15 Dec. 2016

SAFE BARRIERS

SHEET 1 of 1

DRAWING DESCRIPTION	DEFENDER DEPARTURE				
DRAWING REF.	D1-TAU-DEPARTURE				
DRAWN BY	DC	CHECKED	RM	APPROVED	RH

1

2

3

4