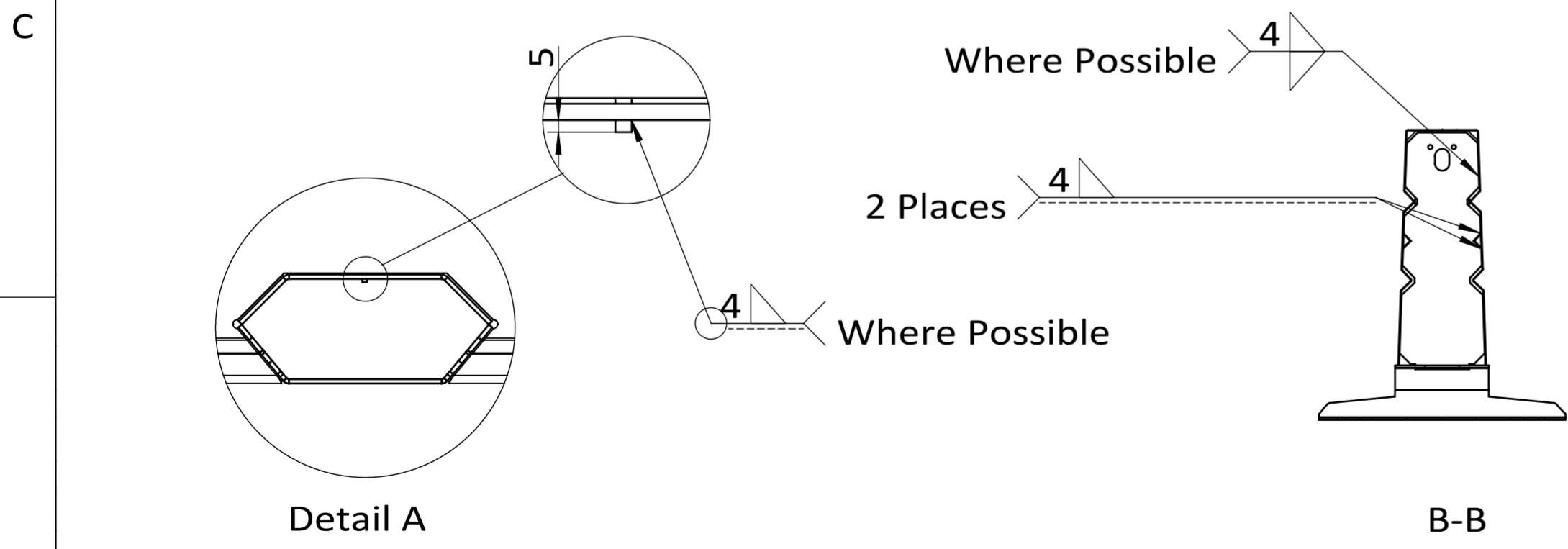
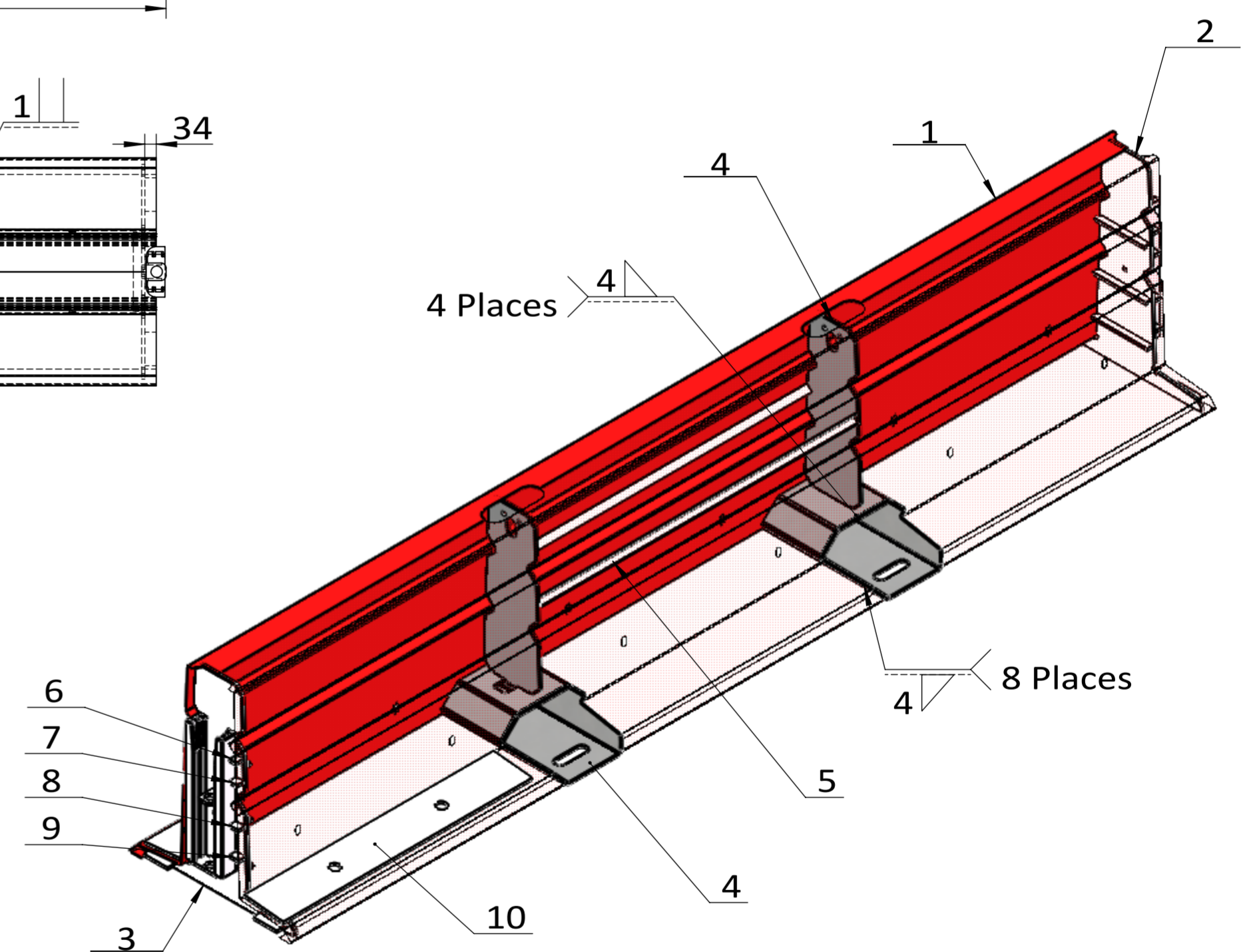
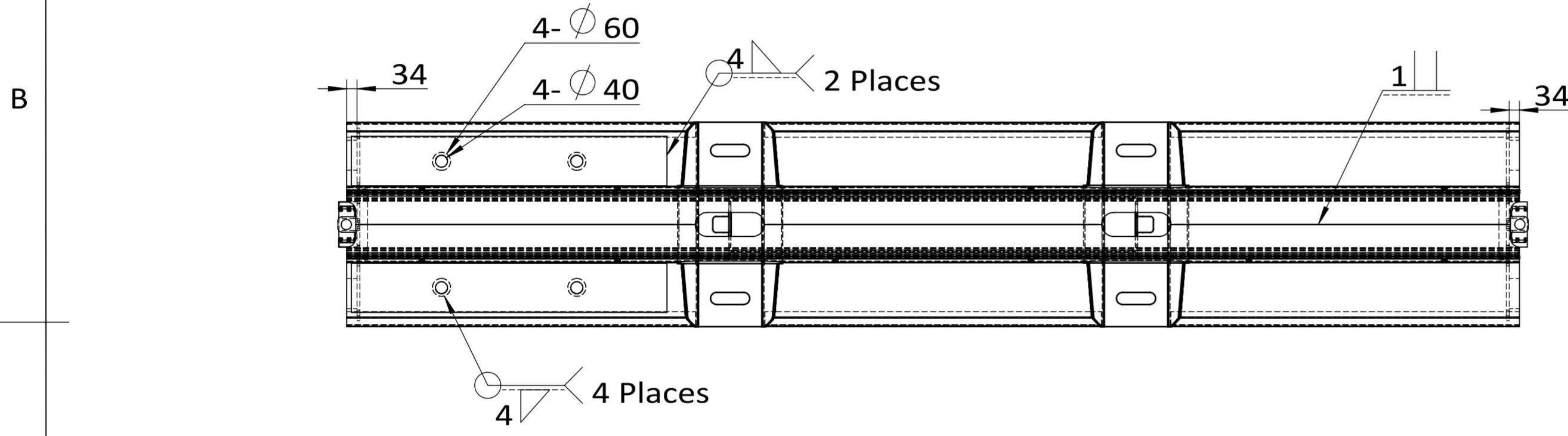


| ITEM | DRAWING NO. | DESCRIPTION               | QTY. |
|------|-------------|---------------------------|------|
| 1    | D2          | SKIN                      | 2    |
| 2    | D4          | FEMALE END PLATE ASSEMBLY | 2    |
| 3    | D5          | LIFTING PLATE             | 2    |
| 4    | D6          | DRAIN                     | 2    |
| 5    | D9          | ANGLE IRON                | 2    |
| 6    | D1-1        | RIB PLATE 1               | 4    |
| 7    | D1-2        | RIB PLATE 2               | 4    |
| 8    | D1-3        | RIB PLATE 3               | 4    |
| 9    | D1-4        | RIB PLATE 4               | 4    |
| 10   | D11         | REINFORCING PLATE         | 2    |



| REV | DATE | DESCRIPTION | DRAWN | APPRD. |
|-----|------|-------------|-------|--------|
| 1   |      |             |       |        |

|  |  |  |  |  |            |                    |                      |                     |              |  |  |  |                   |                 |         |    |          |
|--|--|--|--|--|------------|--------------------|----------------------|---------------------|--------------|--|--|--|-------------------|-----------------|---------|----|----------|
| Tolerances unless otherwise stated<br>Machining: up to 300mm ±0.50<br>300 to ~ ±0.80<br>Fabrication: up to 300mm ±2.00<br>300 to 1000mm ±3.00<br>1000 to ~ ±6.00<br>Angular: all ±2.0° |  |  |  |  | MATERIAL   | SEE PARTS TABLE    | <b>SAFE BARRIERS</b> | DRAWING DESCRIPTION |              |  |  |  | DEFENDER APPROACH |                 |         |    |          |
|  |  |  |  |  | FINISH     | HOT DIP GALVANISED |                      | DRAWING REF.        | DRAWING REF. |  |  |  |                   | D1-TAU-APPROACH |         |    |          |
|  |  |  |  |  | WEIGHT     | 340 KG GALV        | SHEET 1 of 1         |                     | DRAWN BY     |  |  |  |                   | DC              | CHECKED | RM | APPROVED |
|  |  |  |  |  | DIMENSIONS | MM                 |                      |                     |              |  |  |  |                   |                 |         |    |          |
|  |  |  |  |  | DATE       | 15 Dec. 2016       |                      |                     |              |  |  |  |                   |                 |         |    |          |

1

2

3

4