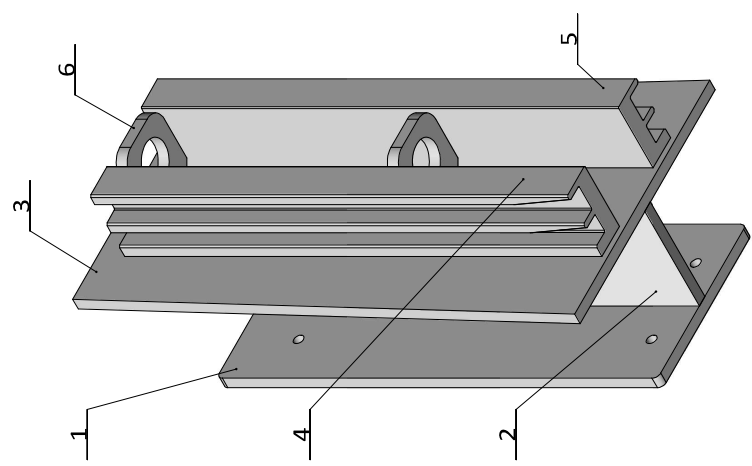
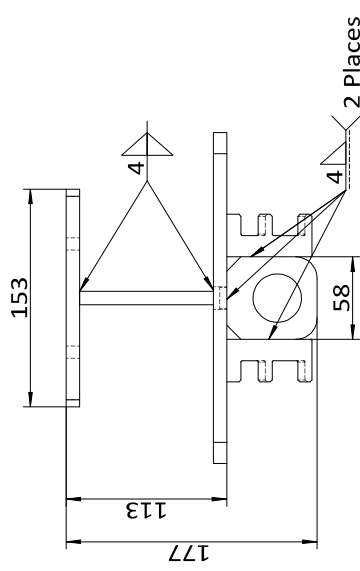
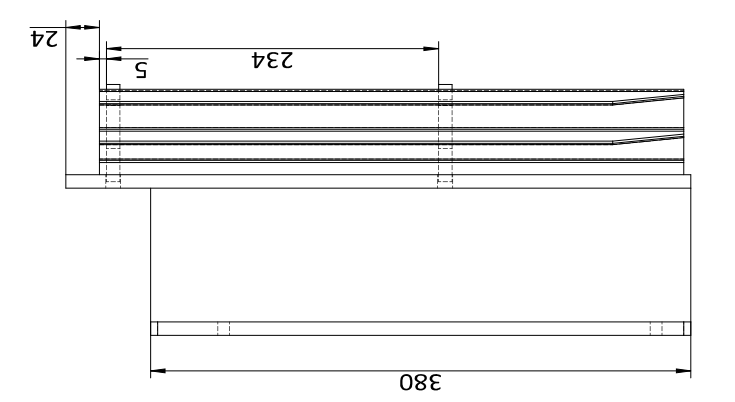


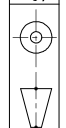
ITEM	DRAWING NO.	DESCRIPTION	QTY.
1		ABSORB CONNECTION PLATE	1
2		DIVIDER PLATE	1
3		FEMALE E JOINT CONNECTION PLATE	1
4		E JOINT LEFT	1
5		E JOINT RIGHT	1
6		MALE SOCKET	2



REV	DATE	DESCRIPTION	DRAWN	APPRD.

Tolerances unless otherwise stated Machining: up to 300mm ±0.50 300 to ~ ±0.80 Fabrication: up to 300mm ±2.00 300 to 1000mm ±3.00 1000 to ~ ±6.00 Angular: all ±2.0°		MATERIAL	SEE PARTS TABLE	DRAWING DESCRIPTION	MALE ABSORB ADAPTOR
FINISH	HOT DIP GALVANISED	FINISH	HOT DIP GALVANISED	DRAWING REF.	D-ABSORB-M
WEIGHT	23.1 KG	WEIGHT	23.1 KG	DRAWN BY	CHECKED
DIMENSIONS	MM	DIMENSIONS	MM	APPROVED	APPROVED
DATE		DATE			

SAFE BARRIERS



SHEET 1 of 1