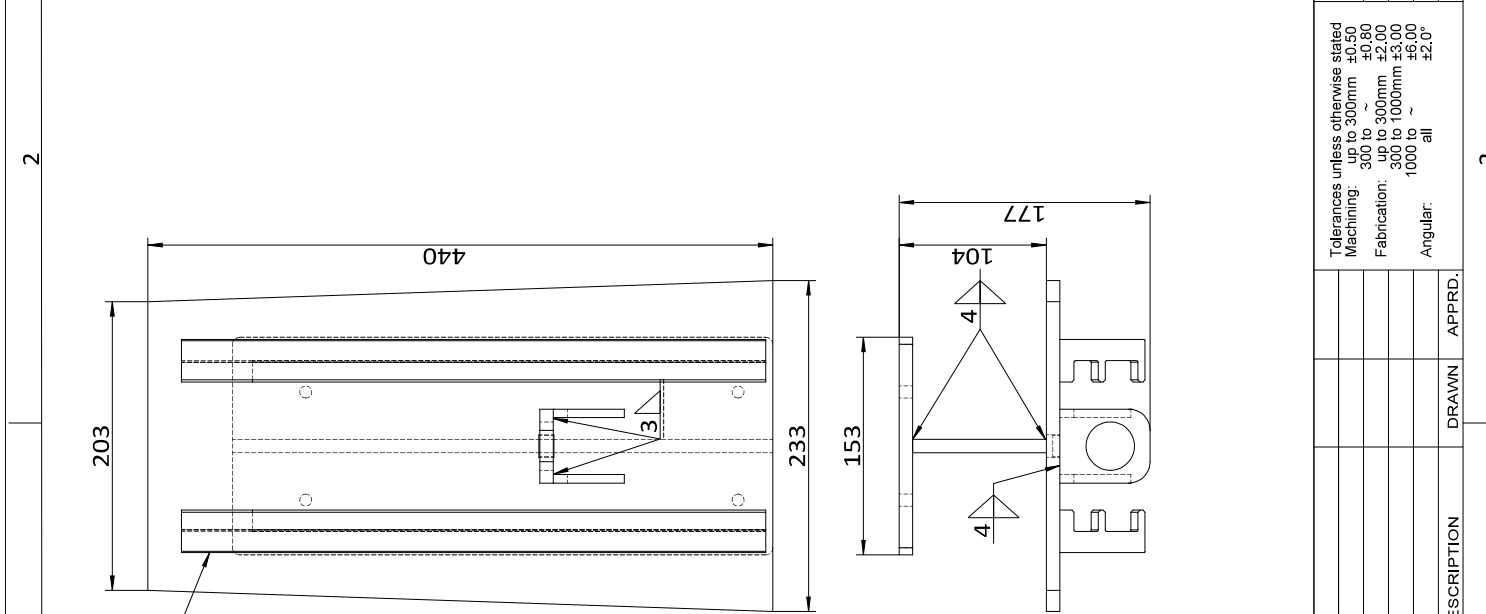
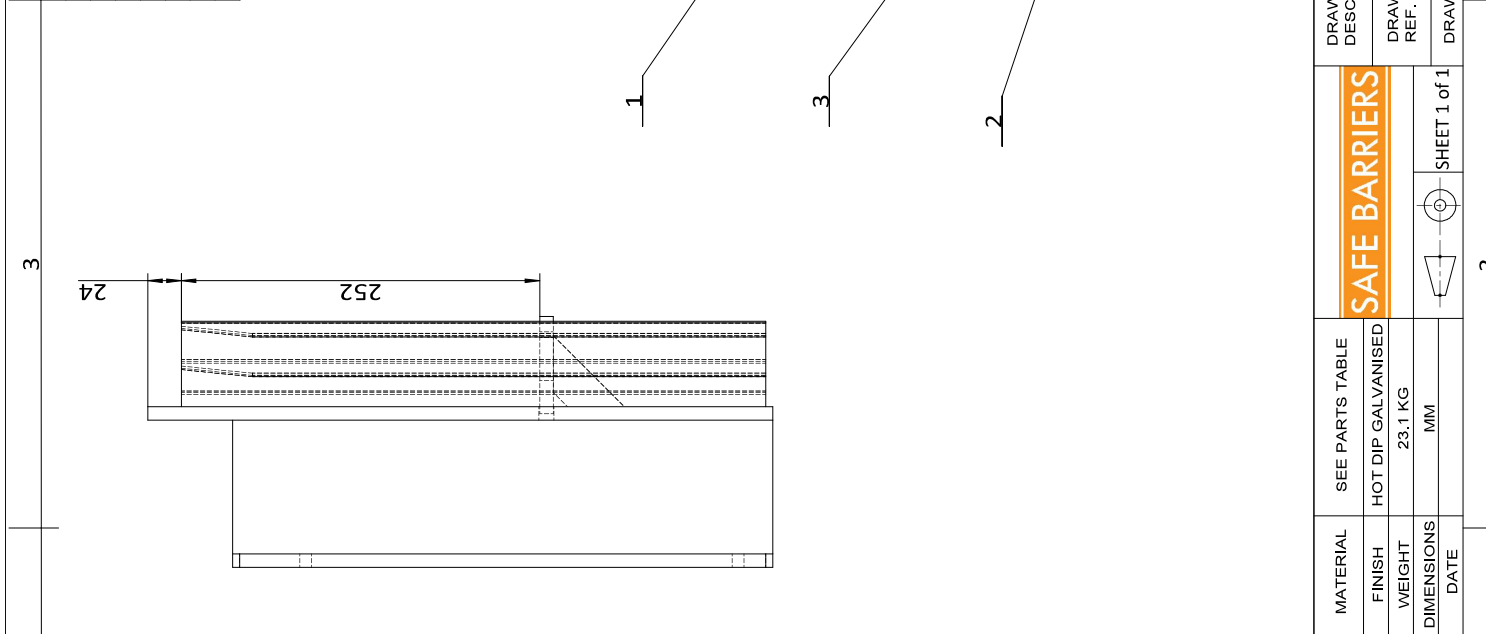


ITEM	DRAWING NO.	DESCRIPTION	QTY.
1		ABSORB CONNECTION PLATE	1
2		DIVIDER PLATE	1
3		MALE E JOINT CONNECTION PLATE	1
4		E JOINT LEFT	1
5		E JOINT RIGHT	1
6		MALE SOCKET	1
7		RIB PLATE	2



REV	DATE	DESCRIPTION	DRAWN	APPRD.

DRAWING DESCRIPTION		SAFE BARRIERS		DRAWING REF.	
FEMALE ABSORB ADAPTOR		SEE PARTS TABLE		DRAWING REF.	
HOT DIP GALVANISED		HOT DIP GALVANISED		DRAWN BY	
23.1 KG		23.1 KG		CHECKED	
MM		MM		APPROVED	
DATE		DATE		SHEET 1 of 1	
Tolerances unless otherwise stated		Tolerances unless otherwise stated		3	
Machining: 300 to ~ ±0.50		Machining: 300 to ~ ±0.50		4	
300 to ~ ±0.80		300 to ~ ±0.80			
Fabrication: up to 3000mm ±2.00		Fabrication: up to 3000mm ±2.00			
300 to 1000mm ±3.00		300 to 1000mm ±3.00			
1000 to ~ ±6.00		1000 to ~ ±6.00			
Angular: all ±2.0°		Angular: all ±2.0°			